

Selena Zhen

Harshvardhan Kedia

TWIST

#48105_p2, #48125_a5

Span Project Shop Drawings

2016

Carnegie Mellon University, Pittsburgh, PA

School of Architecture

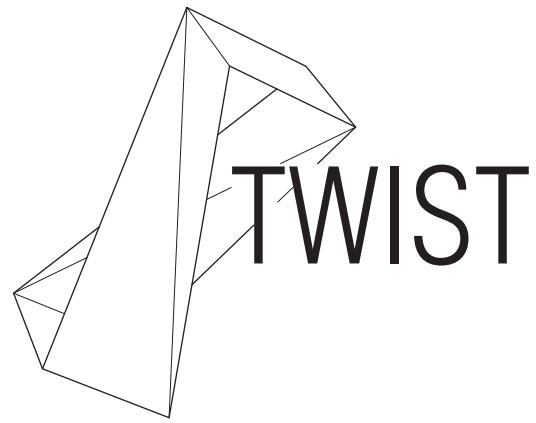


TABLE OF CONTENTS	01
PLAN	02
ELEVATION	03
AXONOMETRIC	04

CUT DIAGRAMS AND MATERIALS

LABELED AXONOMETRIC	05
SPAN CUTS 1	06
PIER CUTS 1	07
SPAN CUTS 2	08
SPAN CUTS 3	09
PIER CUTS 2	10

SUBASSEMBLIES

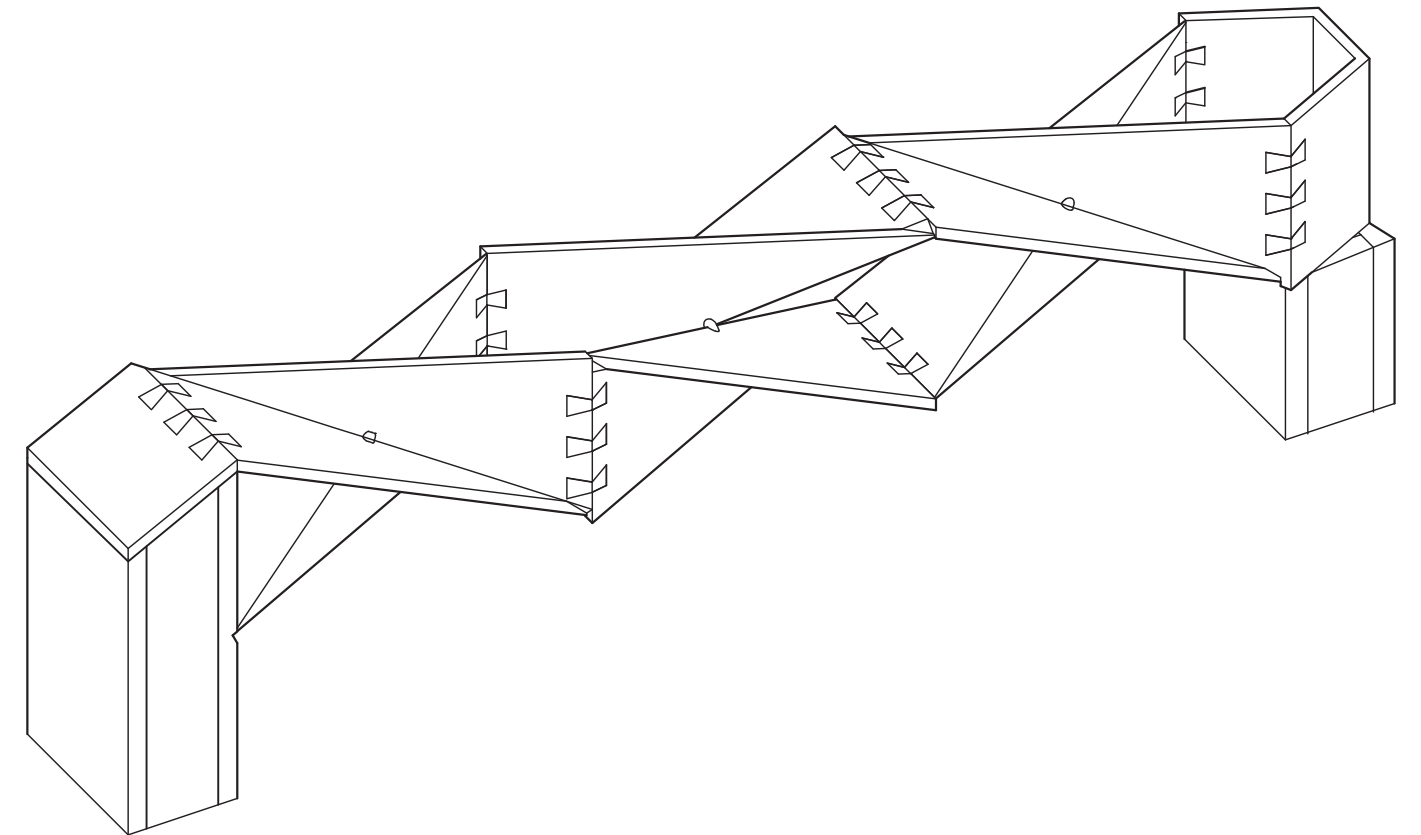
SUBASSEMBLY 1 (SPAN)	11
CONNECTION DETAIL: TRIANGLES	12
CONNECTION DETAIL: DOWELS	13
CONNECTION DETAIL: DOVETAIL KEYS	14
ASSEMBLY OF MODULES	15

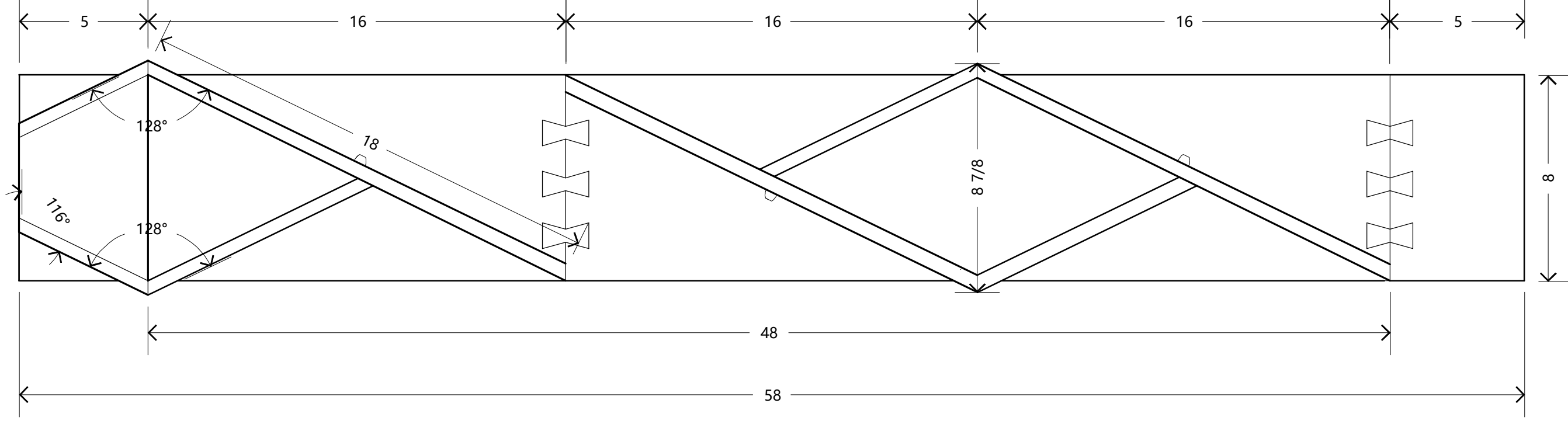
SUBASSEMBLY 2 (PIER 1)	16
------------------------	----

SUBASSEMBLY 3 (PIER 2)	17
------------------------	----

FINAL ASSEMBLY

EXPLODED AXONOMETRIC	18
FINAL MODEL	19





Plan

02/19/16 (A)

For Review

Scale: 1" = 4.5" All measurements in inches

02

Twist

Selena Zhen

Harshvardhan Kedia

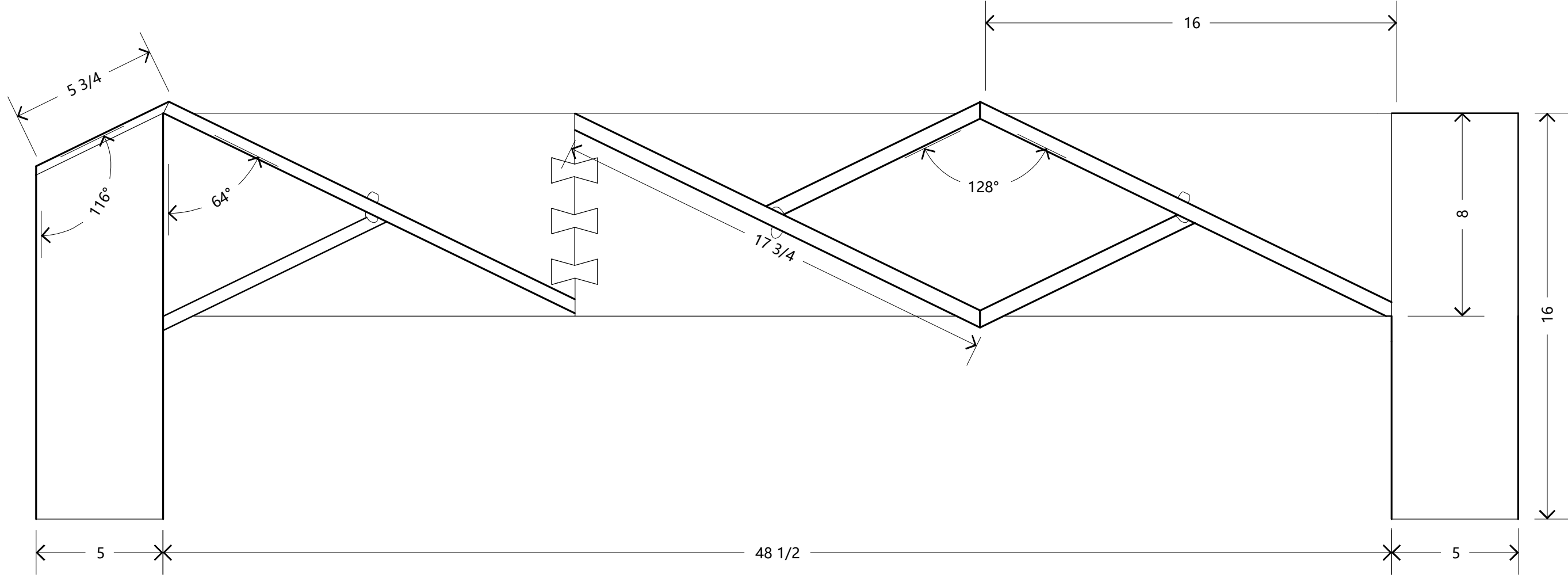
Drawn By: HK

#48105_p2, #48125_a5

Span Project Shop Drawings S16

Carnegie Mellon University, Pittsburgh, PA

School of Architecture



Elevation

02/19/16 (A)

For Review

Scale: 1" = 4.5" All measurements in inches

03

Twist

Selena Zhen

Harshvardhan Kedia

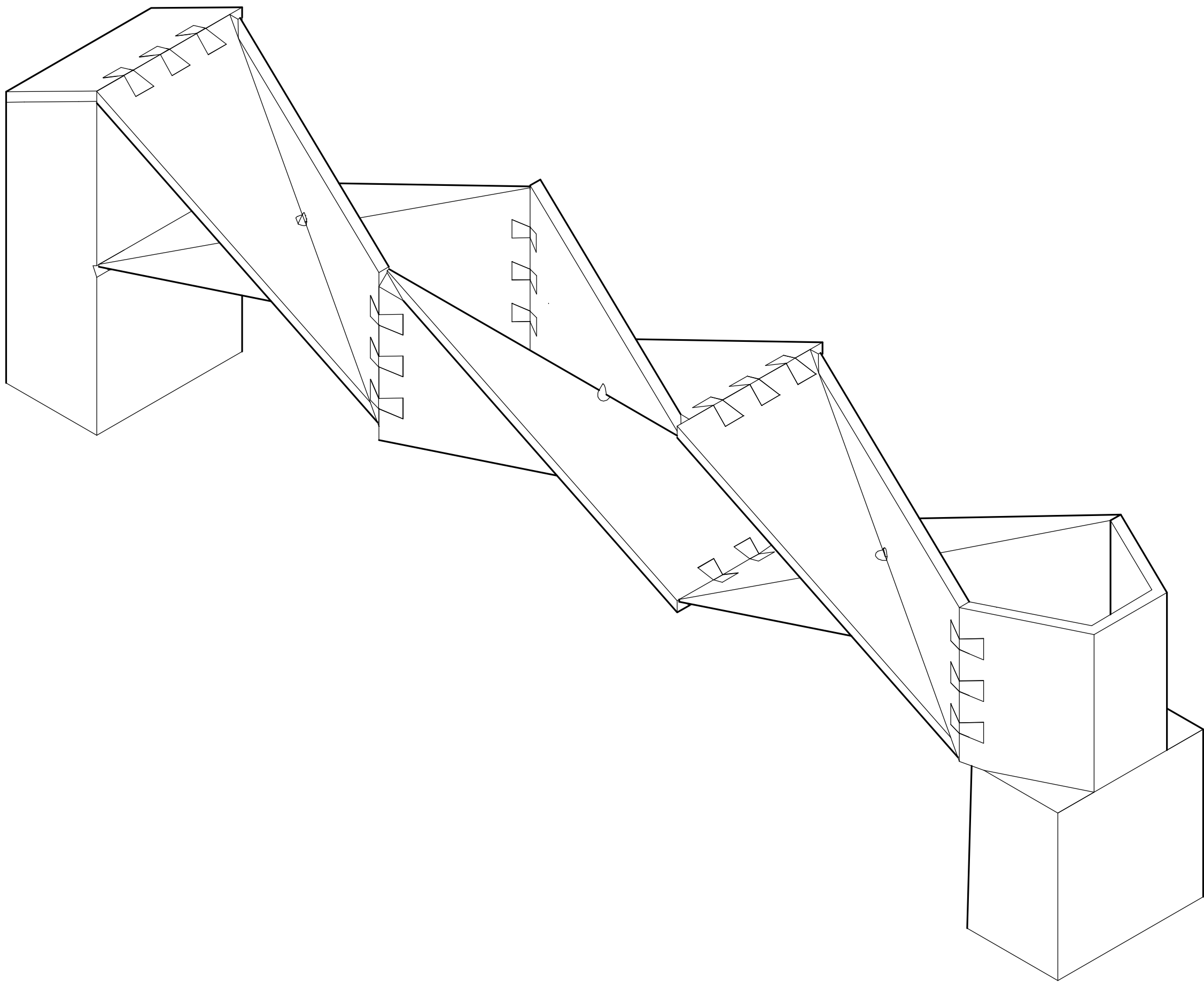
Drawn By: HK

#48105_p2, #48125_a5

Span Project Shop Drawings S16

Carnegie Mellon University, Pittsburgh, PA

School of Architecture



Axonometric

02/19/16 (B)

For Review

Scale: 1" = 4.5" All measurements
in inches

04

Twist

Selena Zhen

Harshvardhan Kedia

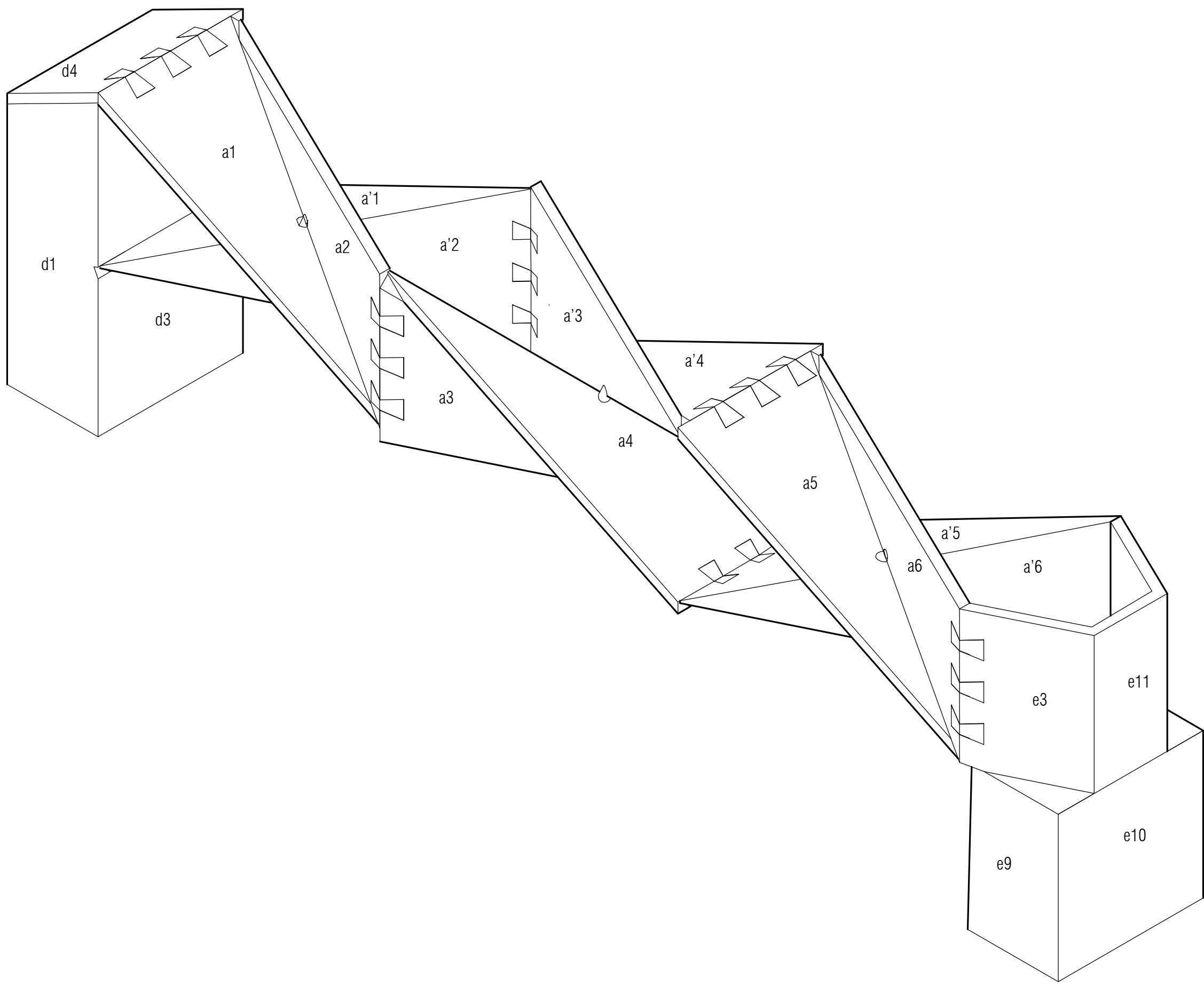
Drawn By: HK

#48105_p2, #48125_a5

Span Project Shop Drawings S16

Carnegie Mellon University, Pittsburgh, PA

School of Architecture



Labelled Axonometric

02/19/16

For Review

Scale: 1" = 4.5" All measurements
in inches

05

Twist

Selena Zhen

Harshvardhan Kedia

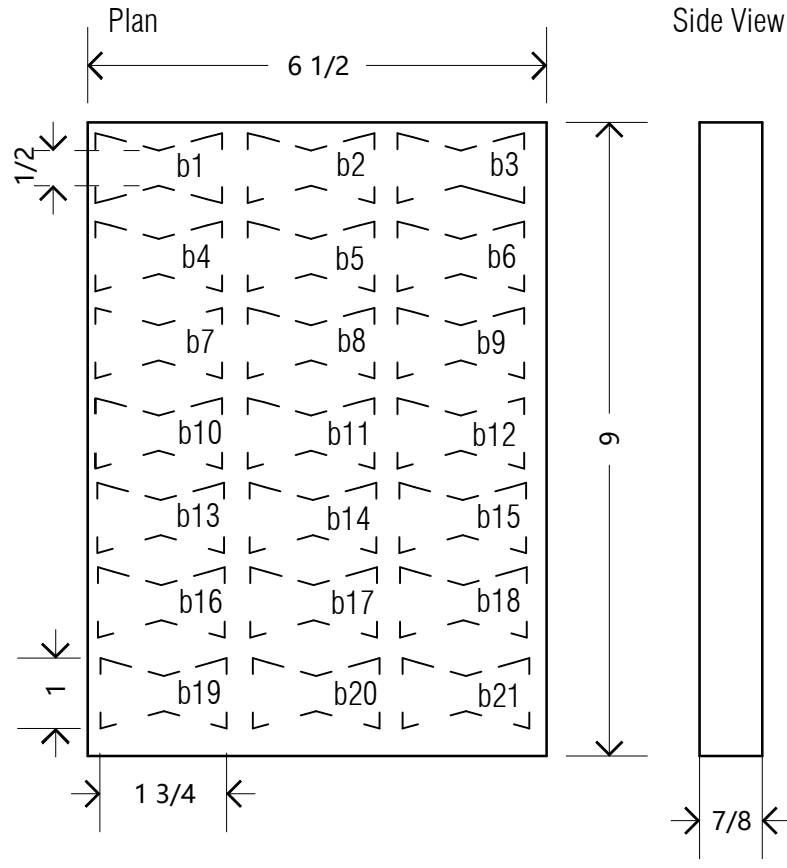
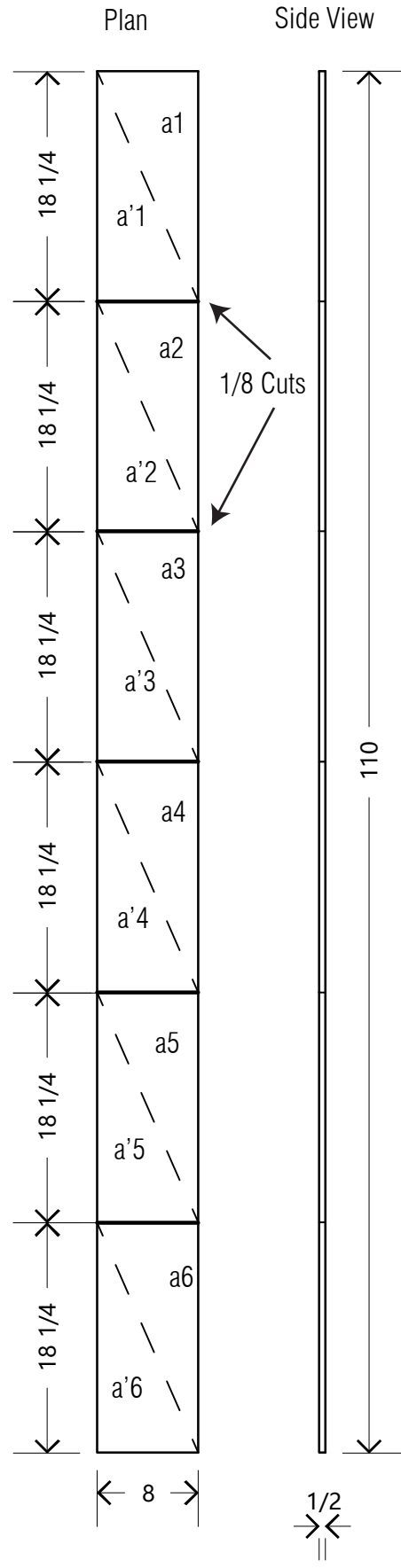
Drawn By: HK

#48105_p2, #48125_a5

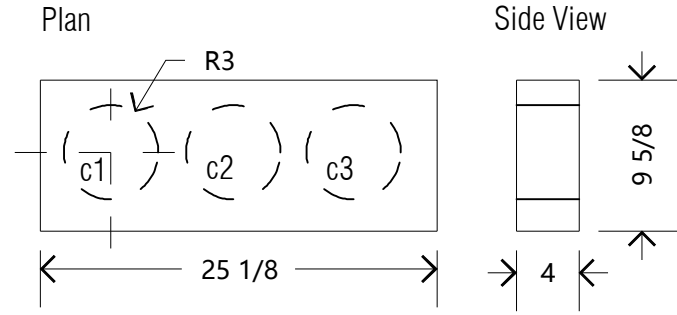
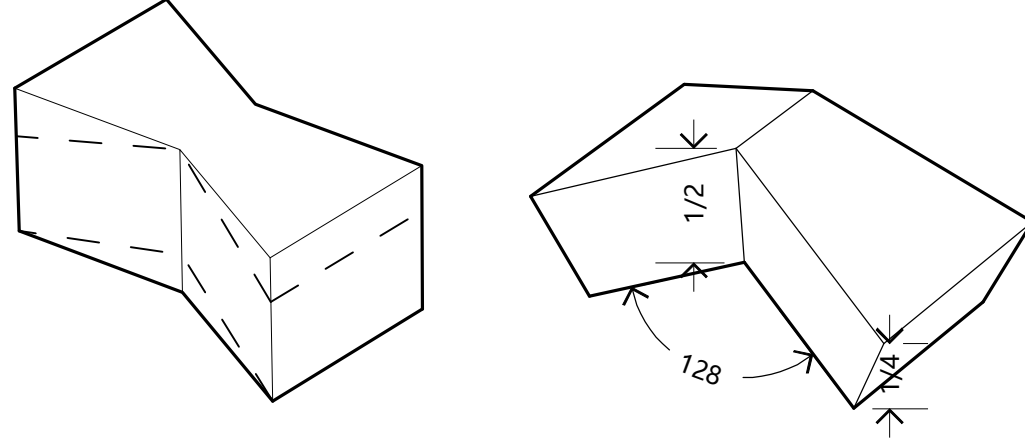
Span Project Shop Drawings S16

Carnegie Mellon University, Pittsburgh, PA

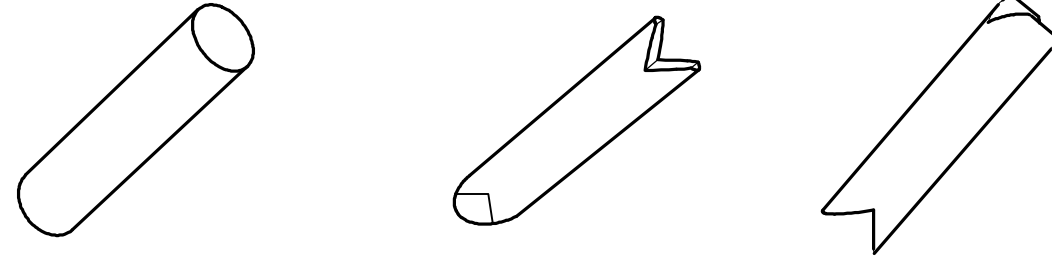
School of Architecture



Dovetail Keys B*



Dowel C*



Span Cuts 1

02/19/16

For Review

All measurements
in inches

Twist

Selena Zhen

Harshvardhan Kedia

Drawn By: HK

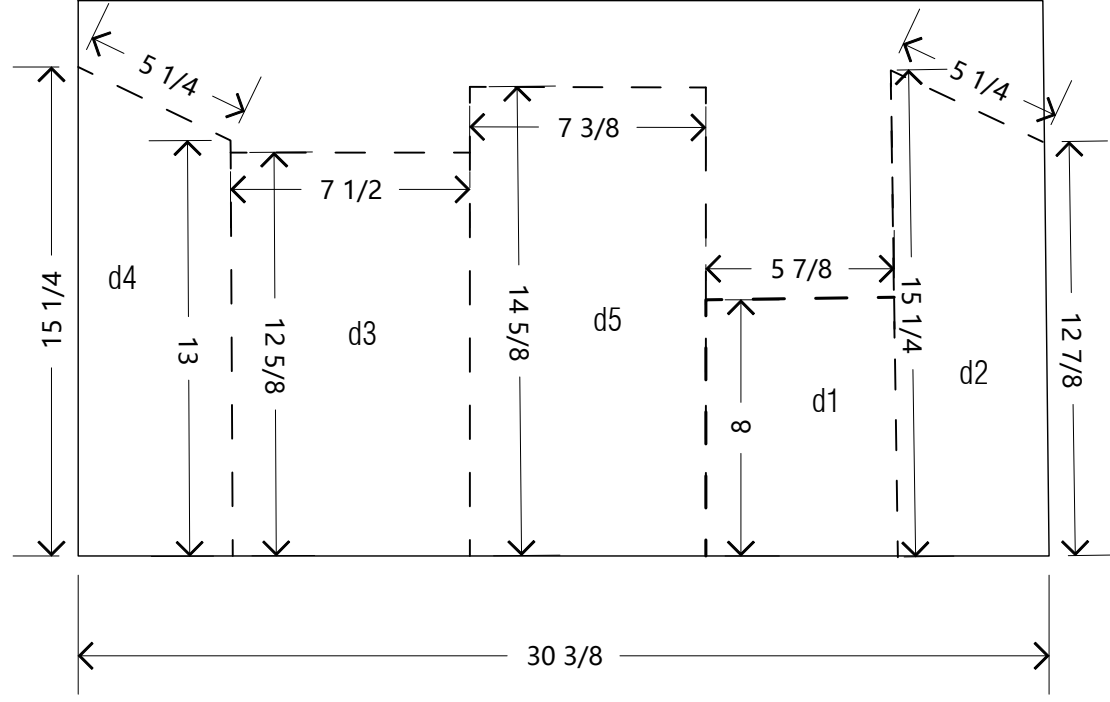
#48105_p2, #48125_a5

Span Project Shop Drawings S16

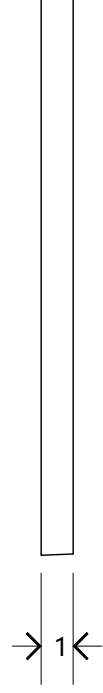
Carnegie Mellon University, Pittsburgh, PA

School of Architecture

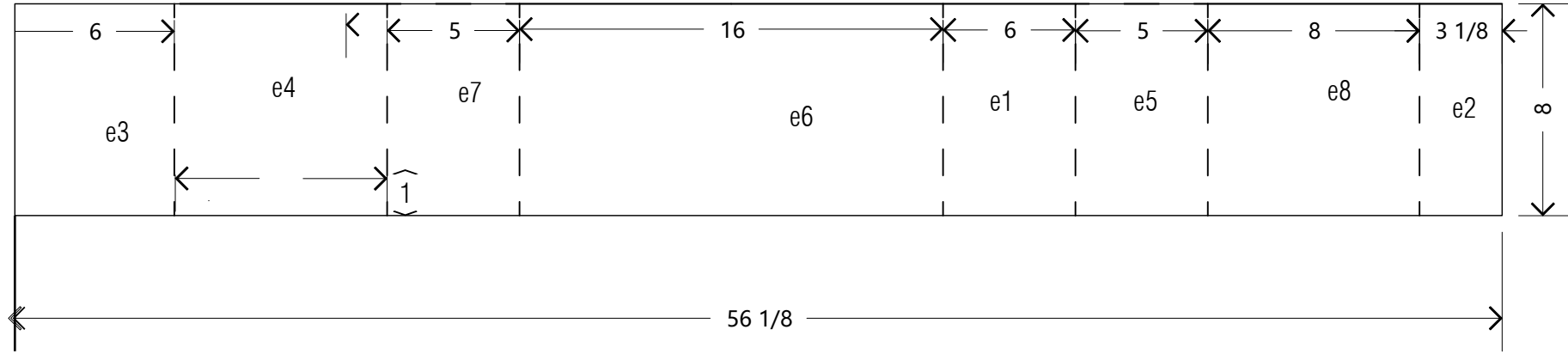
Plan



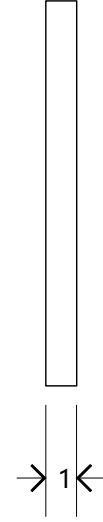
Side View



Plan



Side View



Pier Cuts 1

02/19/16

For Review

Selena Zhen
Harshvardhan Kedia
Drawn By: HK

Twist

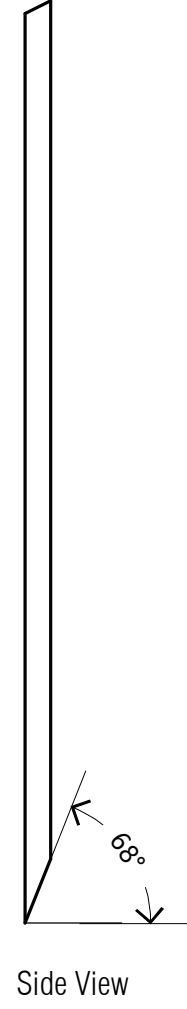
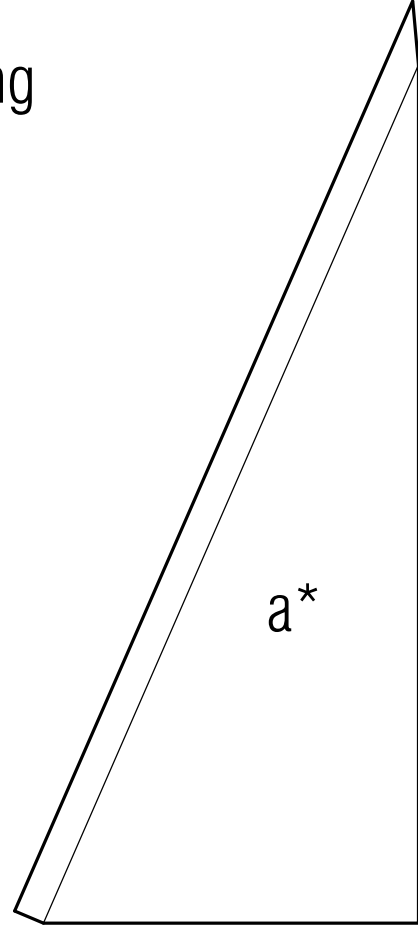
#48105_p2, #48125_a5

Span Project Shop Drawings S16
Carnegie Mellon University, Pittsburgh, PA
School of Architecture

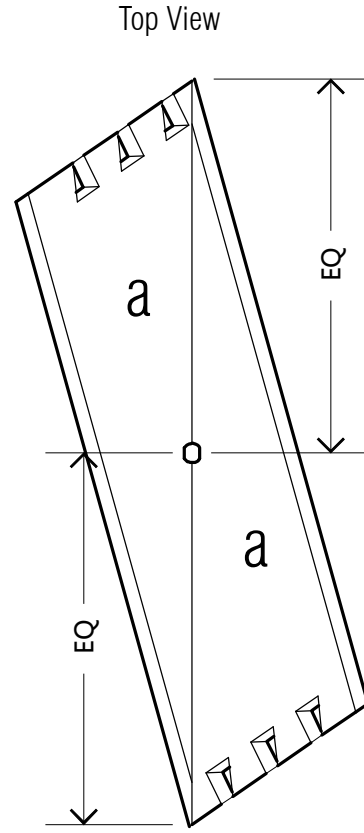
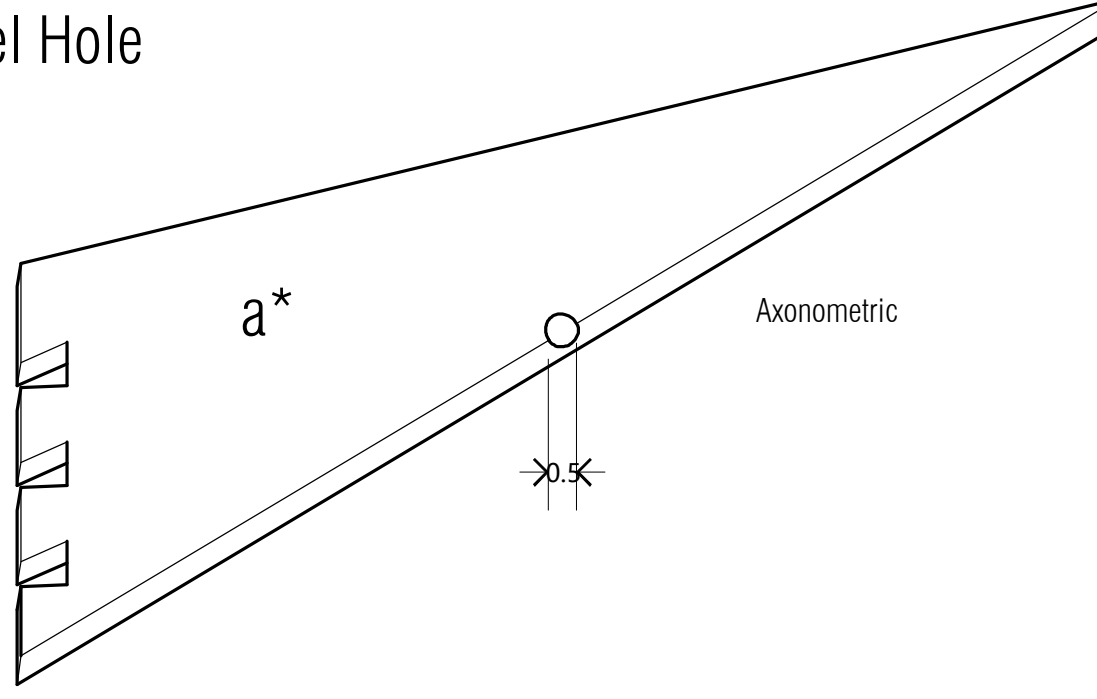
07

All measurements
in inches

Mitering



Dowel Hole



Span Cuts 2

02/19/16

For Review

Selena Zhen

Harshvardhan Kedia

Drawn By: HK

All measurements
in inches

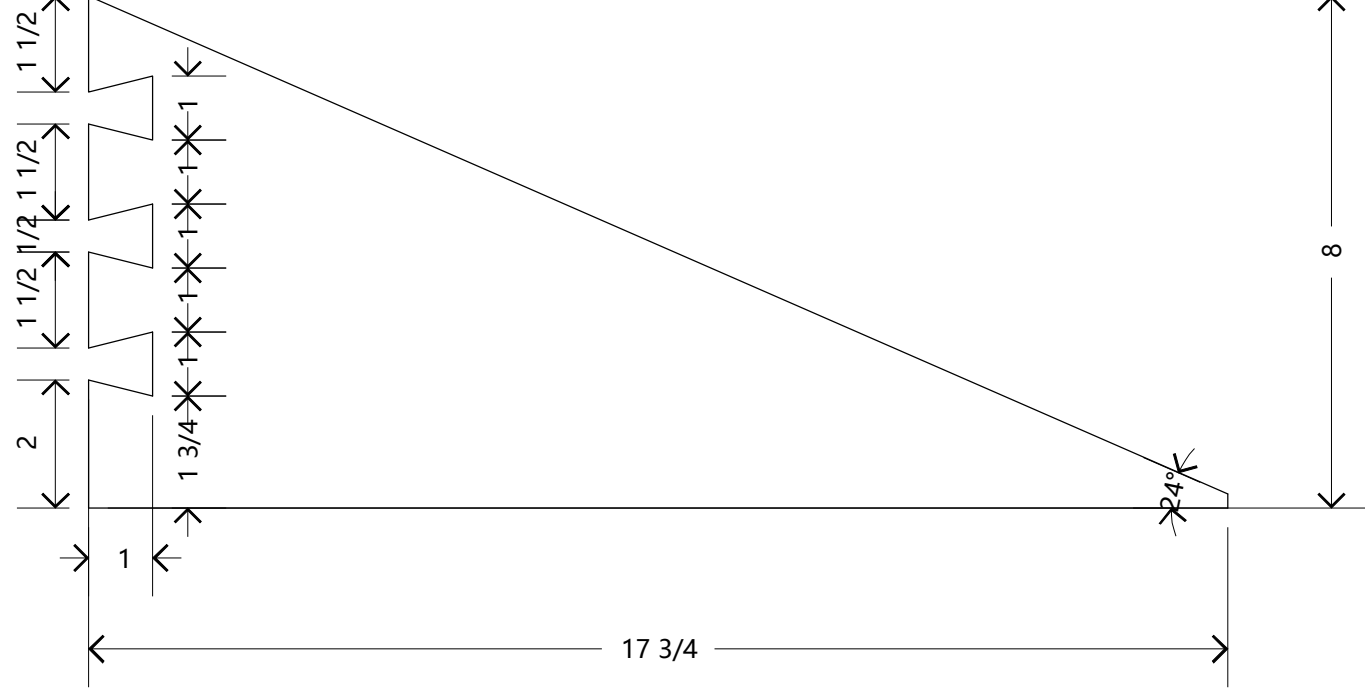
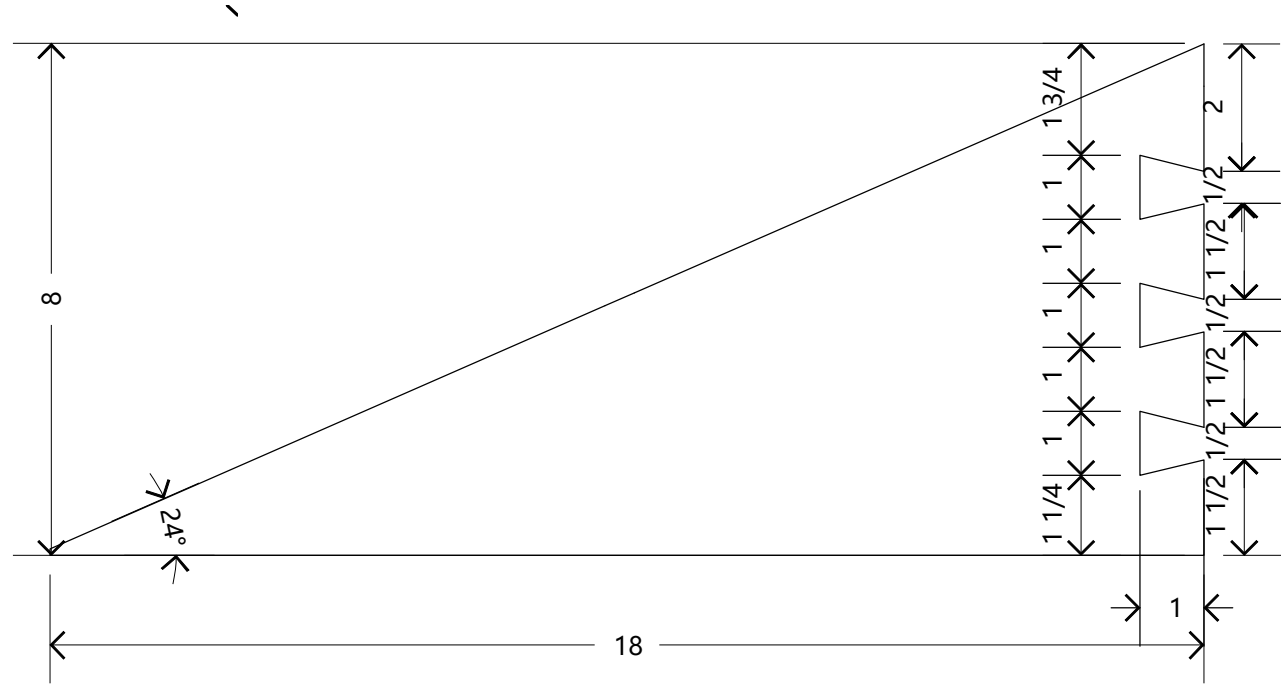
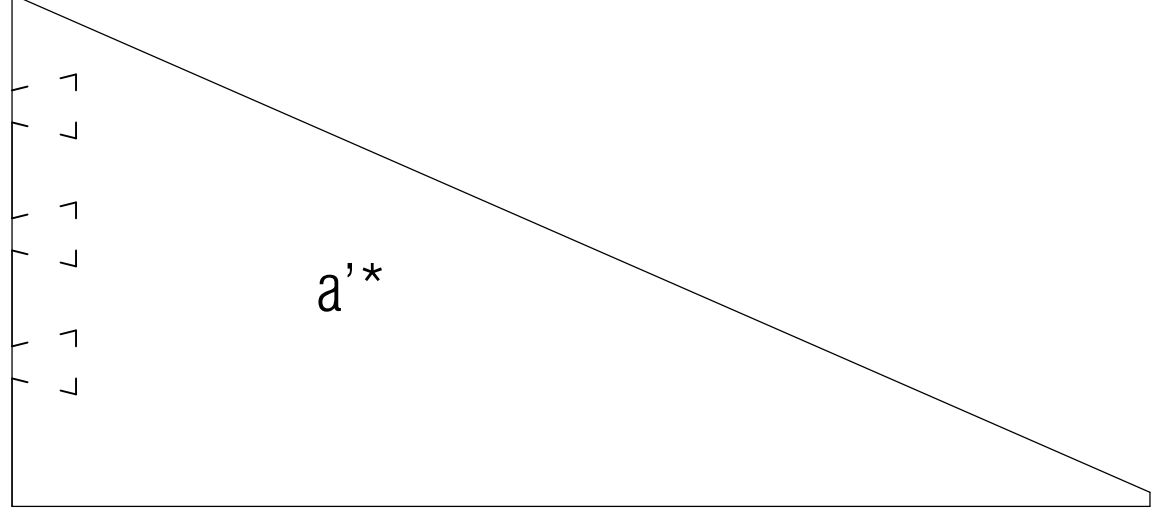
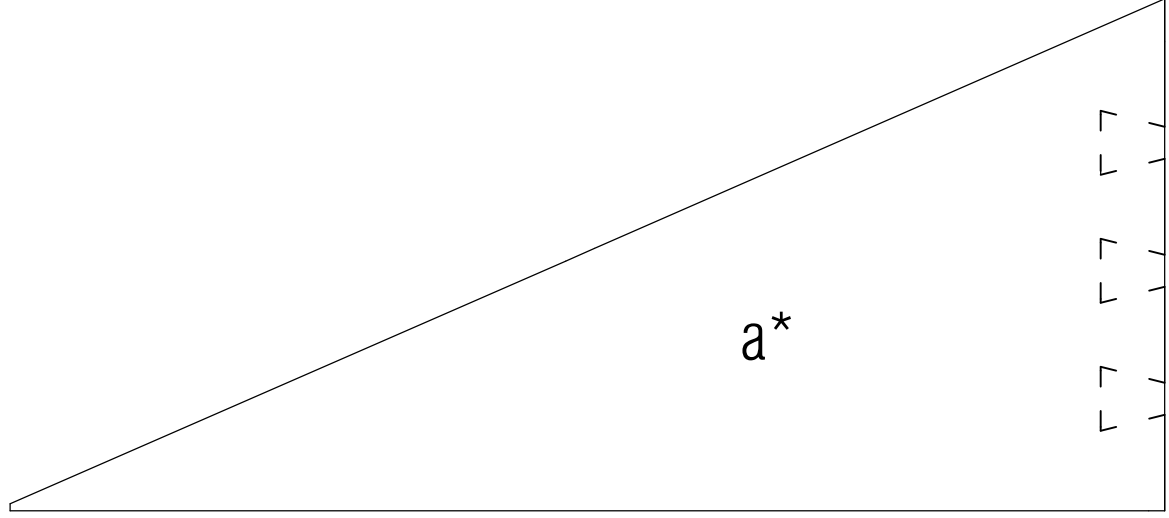
Twist

#48105_p2, #48125_a5

Span Project Shop Drawings S16

Carnegie Mellon University, Pittsburgh, PA

School of Architecture



Span Cuts 3

02/19/16

For Review

Harshvardhan Kedia

Drawn By: HK

All measurements
in inches

Twist

Selena Zhen

Harshvardhan Kedia

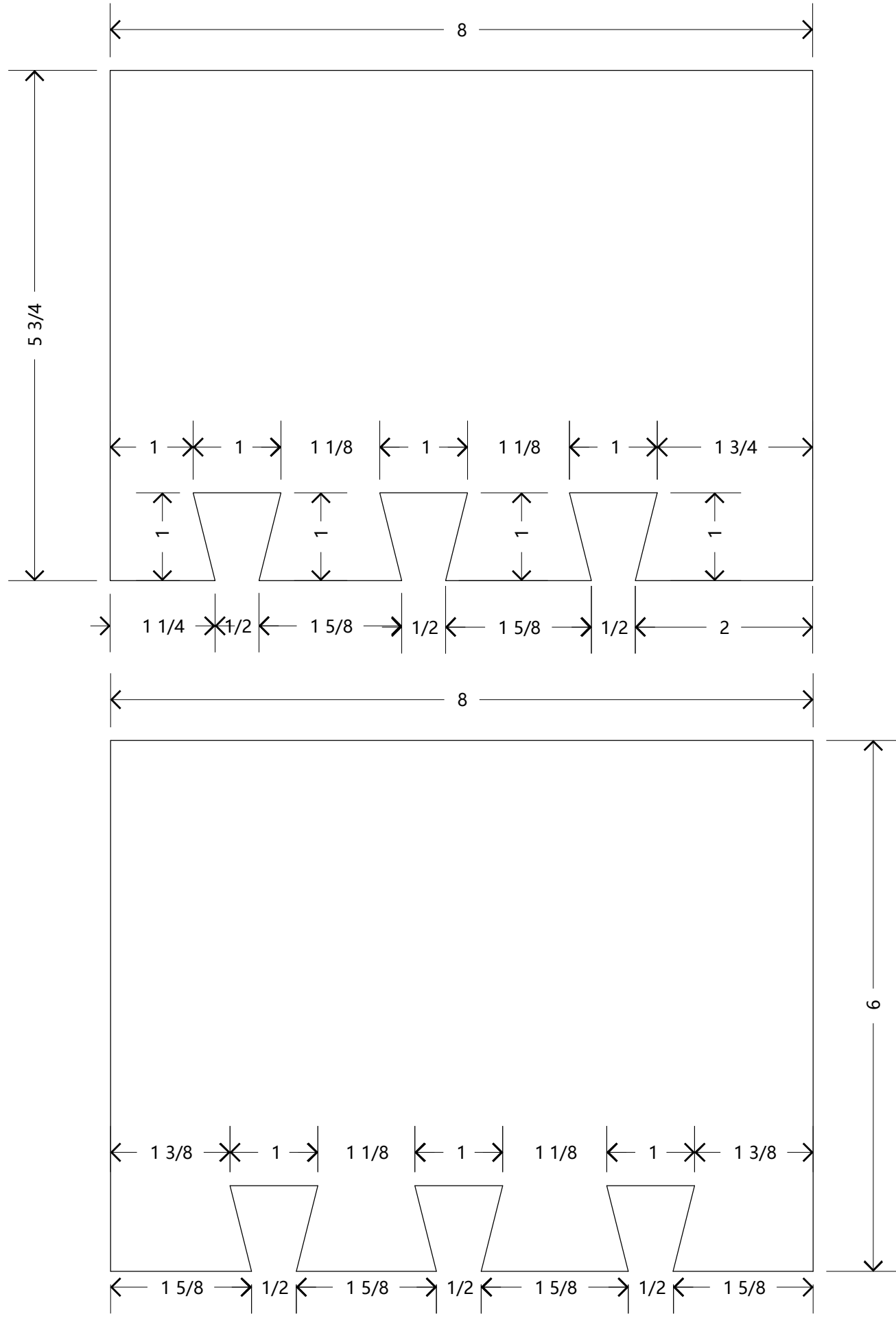
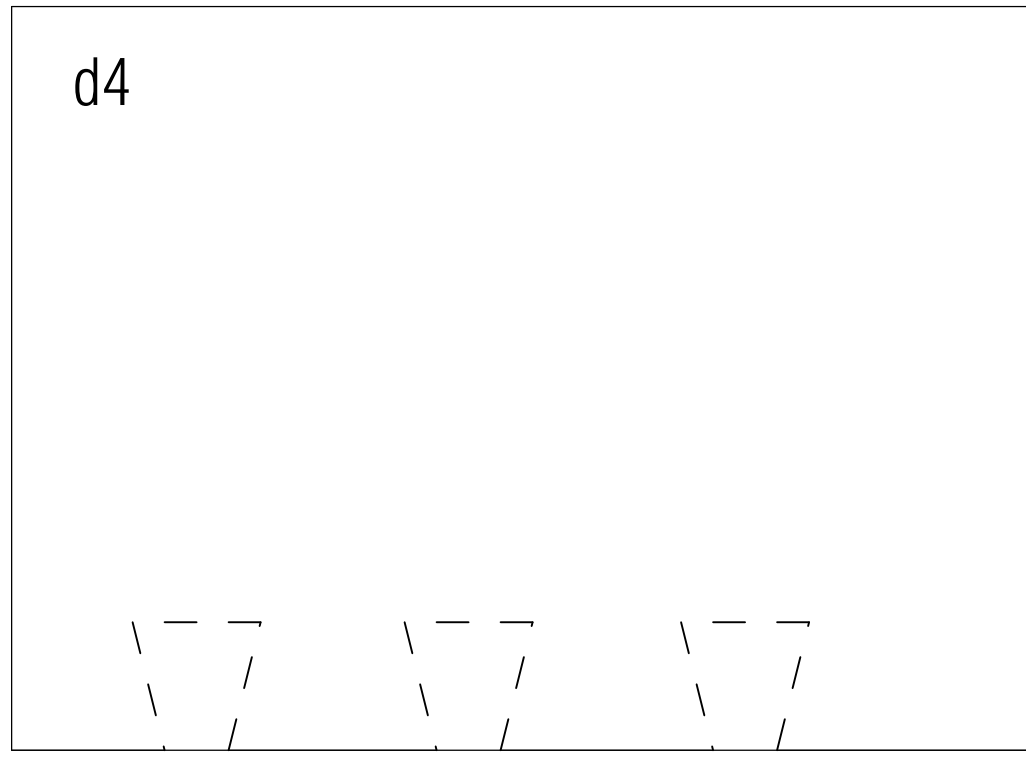
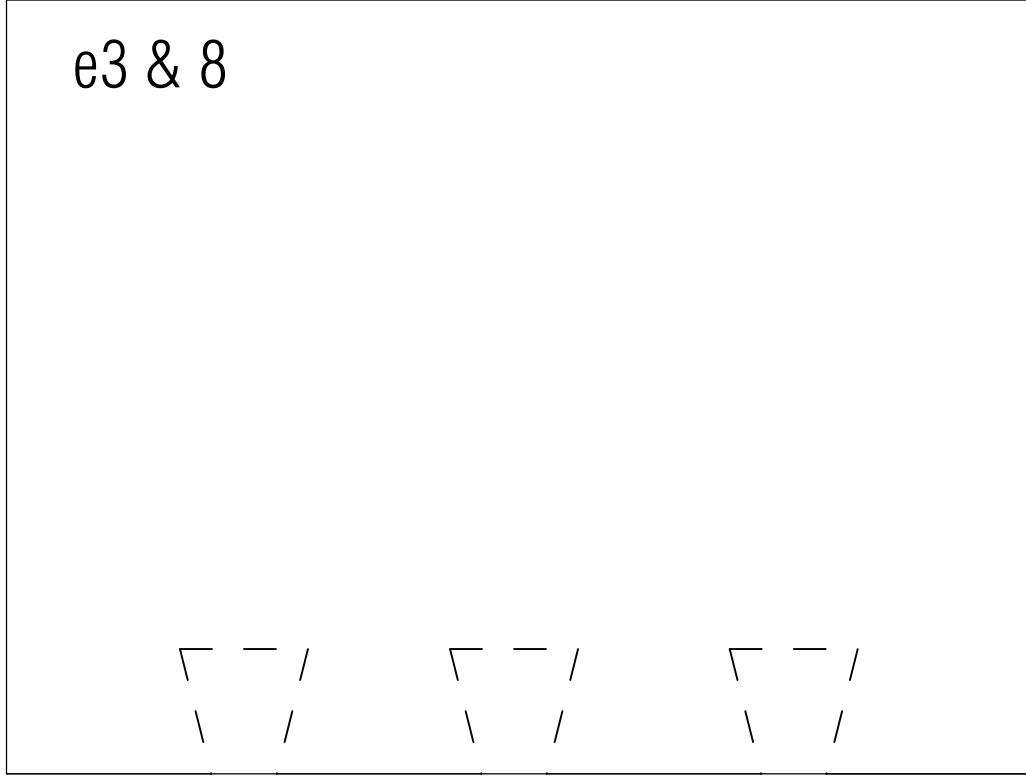
Drawn By: HK

#48105_p2, #48125_a5

Span Project Shop Drawings S16

Carnegie Mellon University, Pittsburgh, PA

School of Architecture



Pier Cuts 2

02/19/16

For Review

10

All measurements
in inches

Twist

Selena Zhen

Harshvardhan Kedia

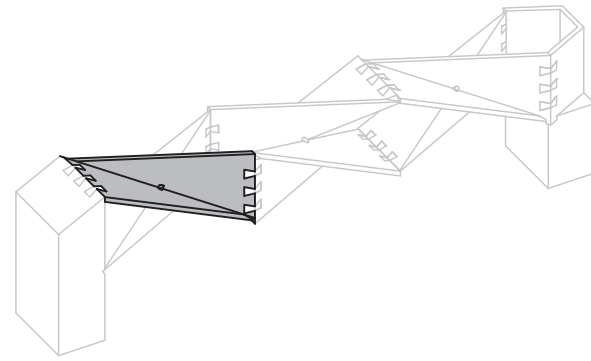
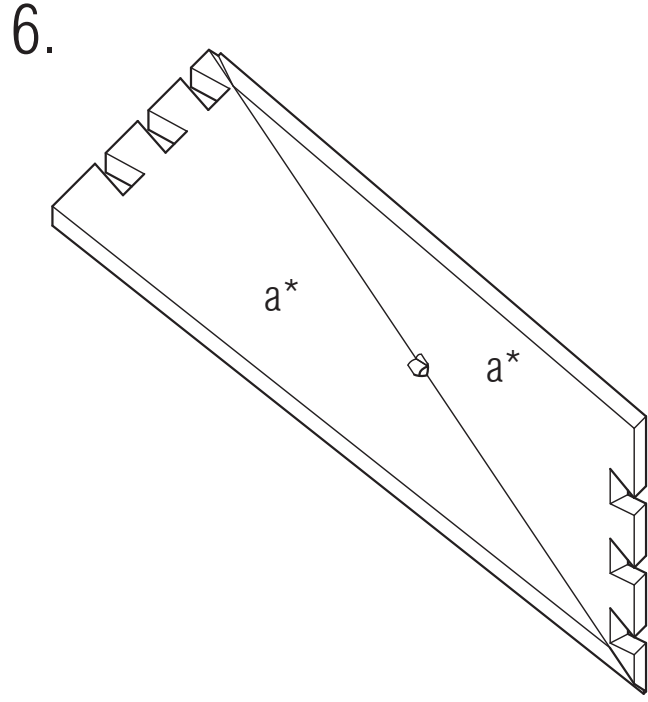
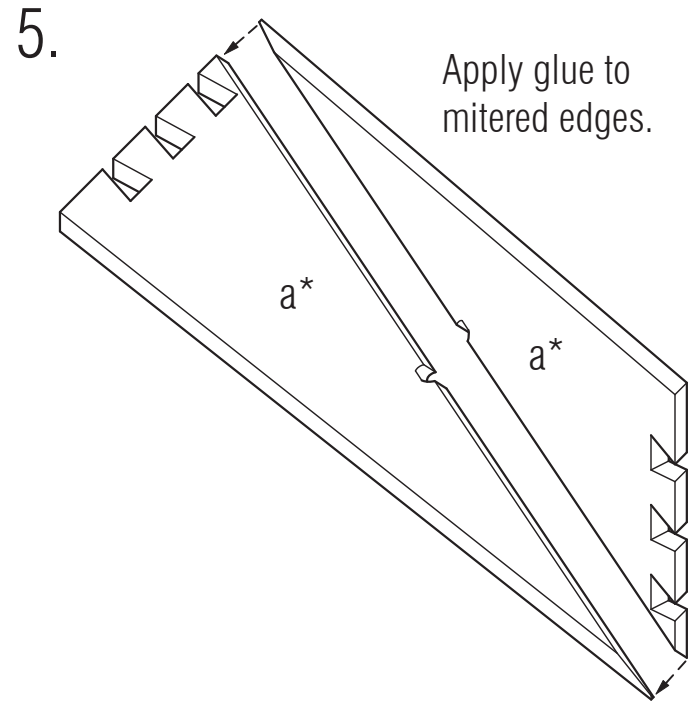
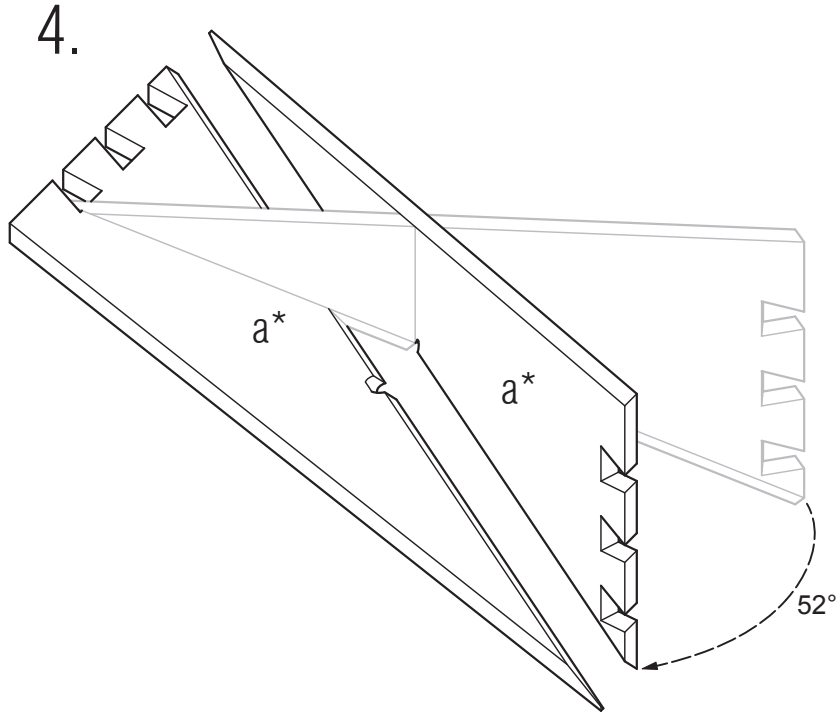
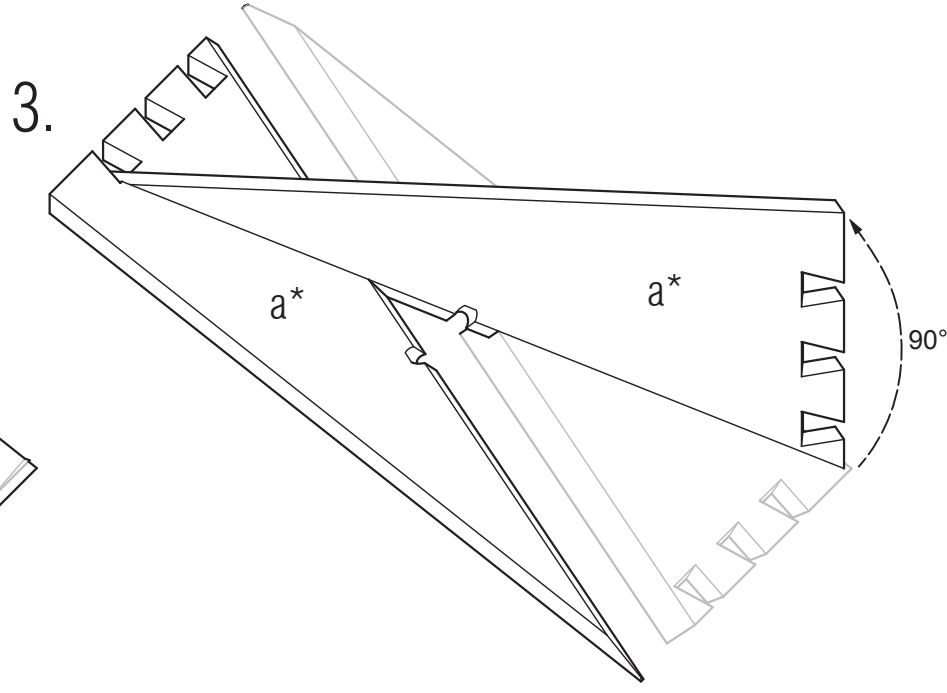
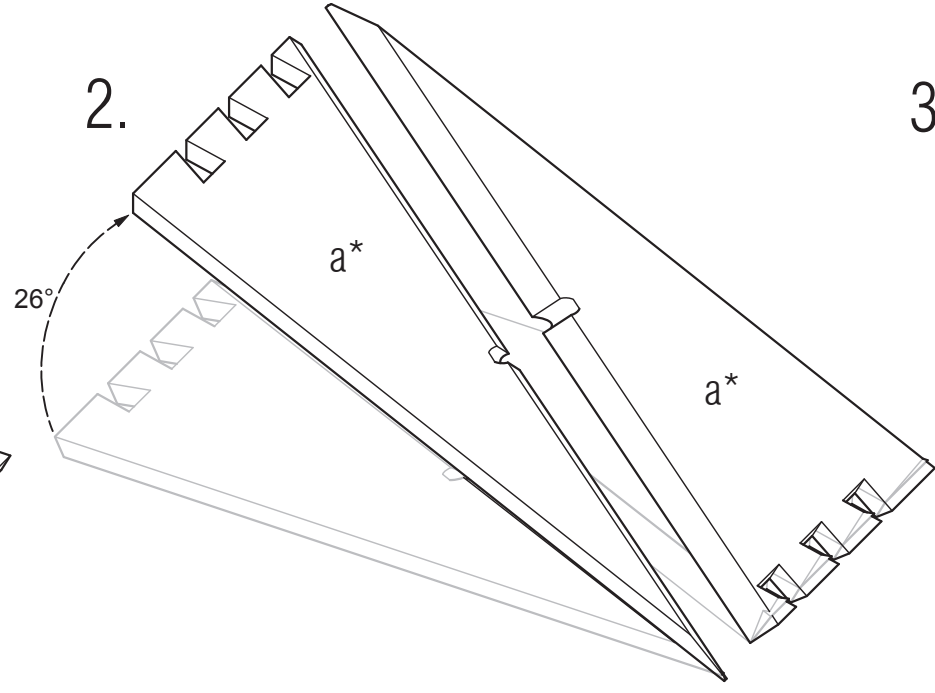
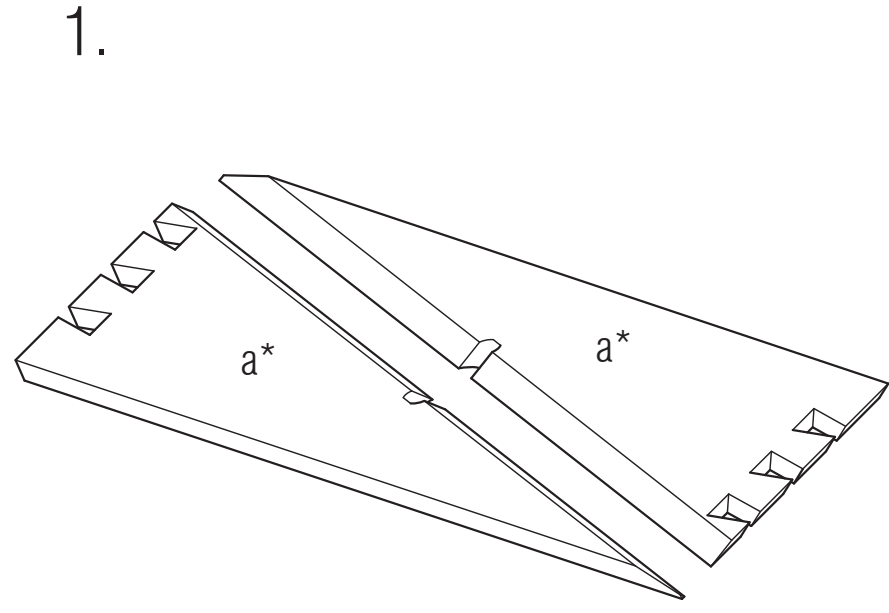
Drawn By: HK

#48105_p2, #48125_a5

Span Project Shop Drawings S16

Carnegie Mellon University, Pittsburgh, PA

School of Architecture



Connection Detail:
Triangles

$$(a^* + a^*)$$

02/19/16

For Review

All measurements
in inches

12

Twist

Selena Zhen

Harshvardhan Kedia

Drawn By: SZ

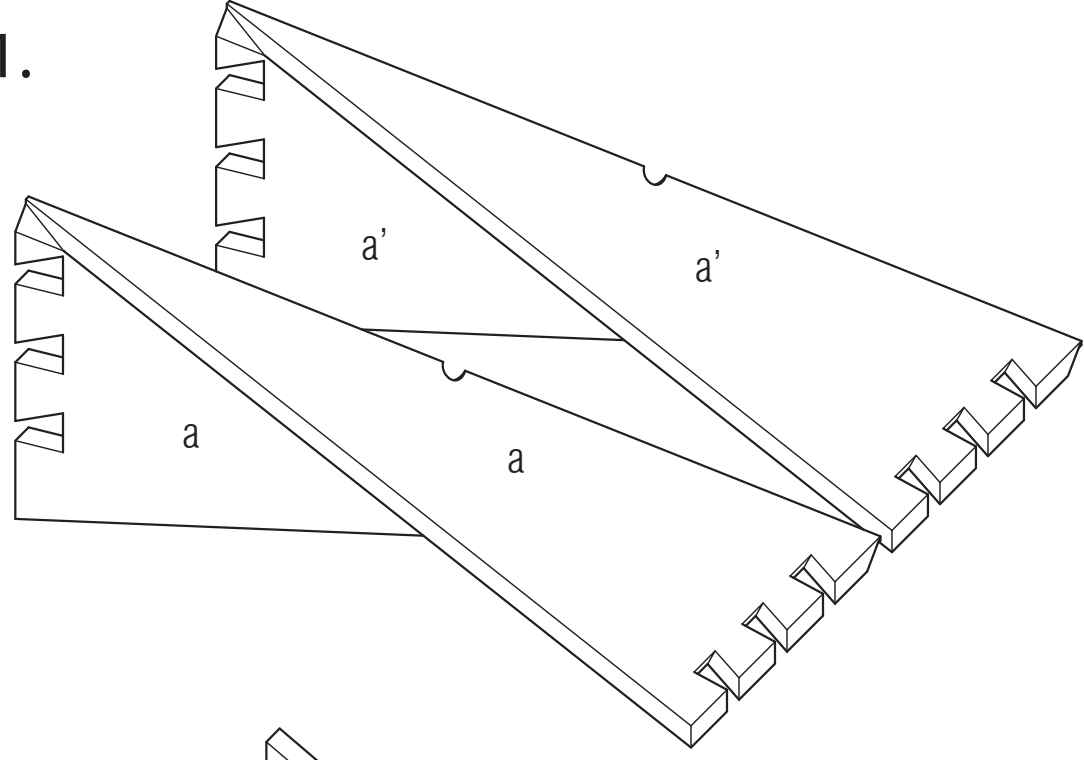
#48105_p2, #48125_a5

Span Project Shop Drawings S16

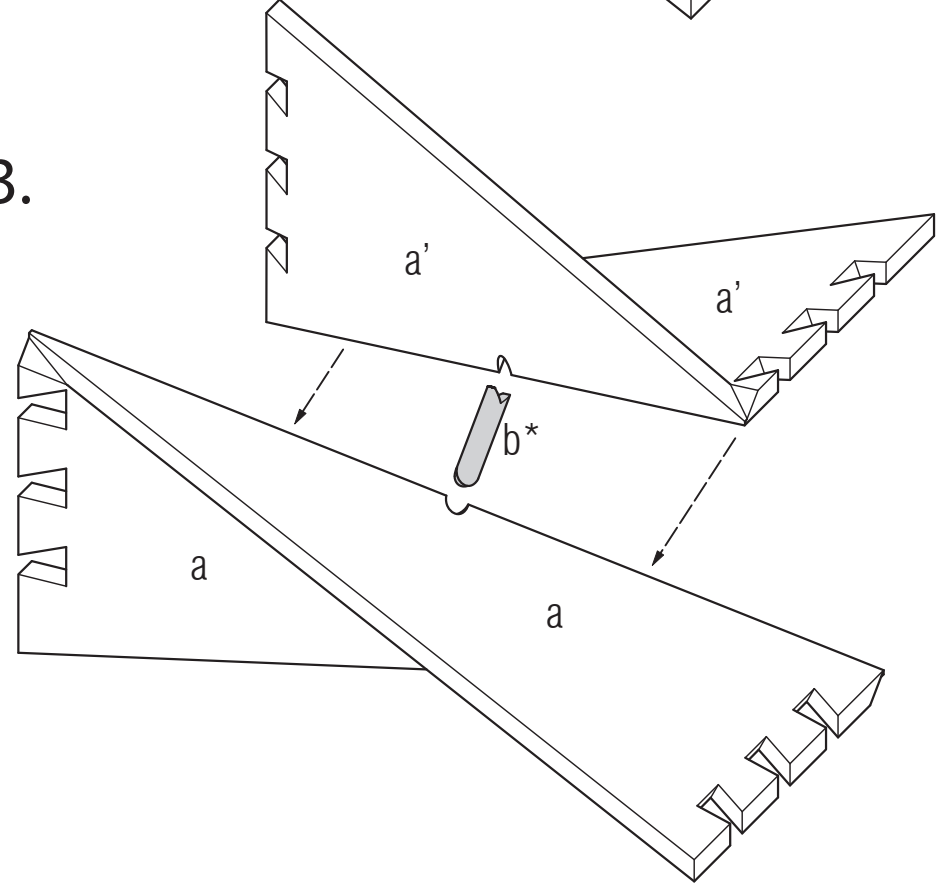
Carnegie Mellon University, Pittsburgh, PA

School of Architecture

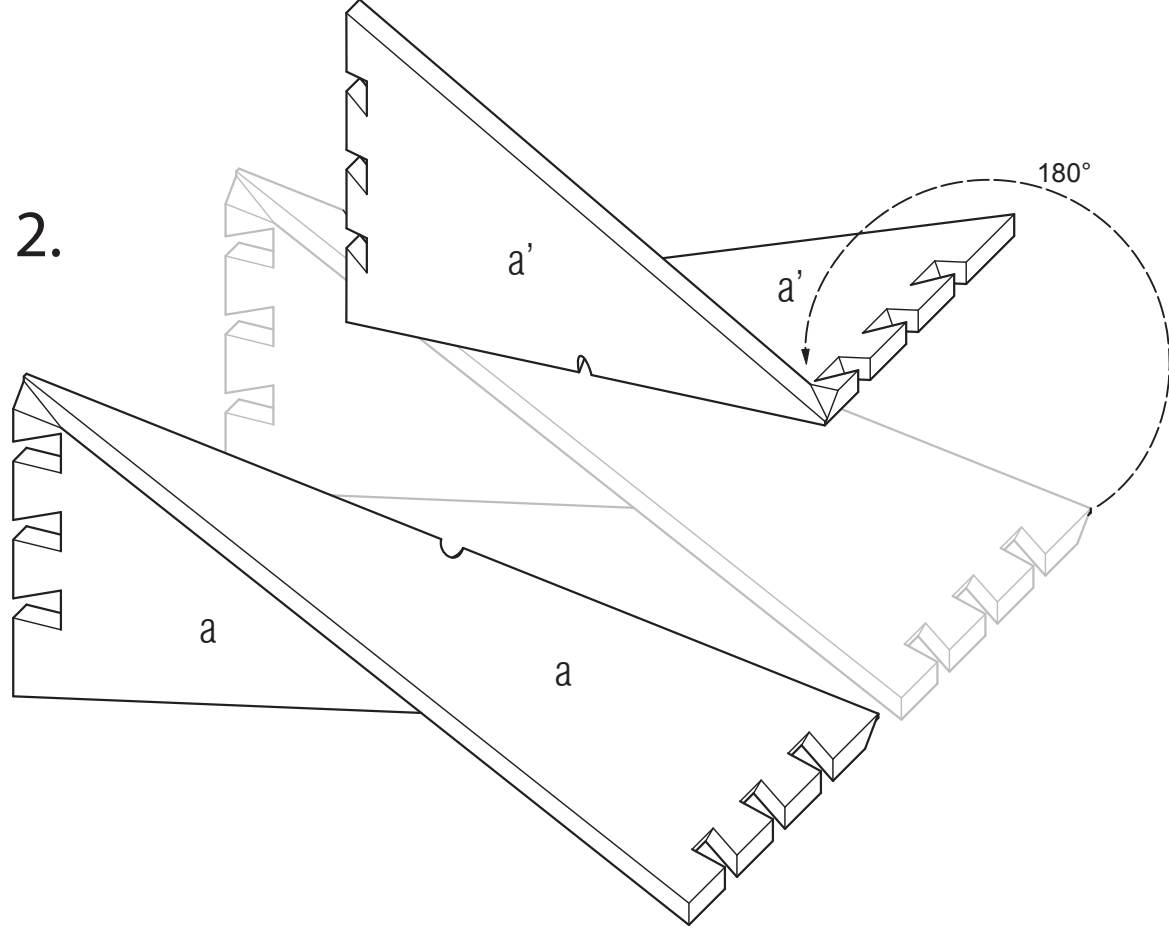
1.



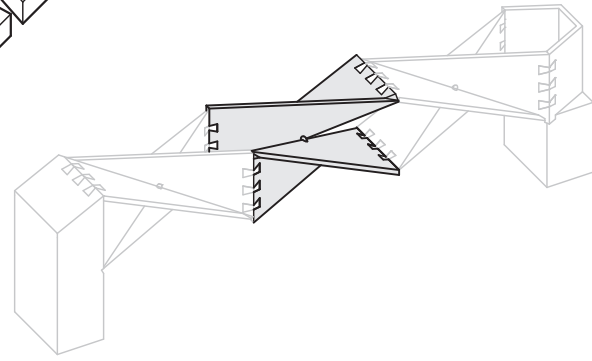
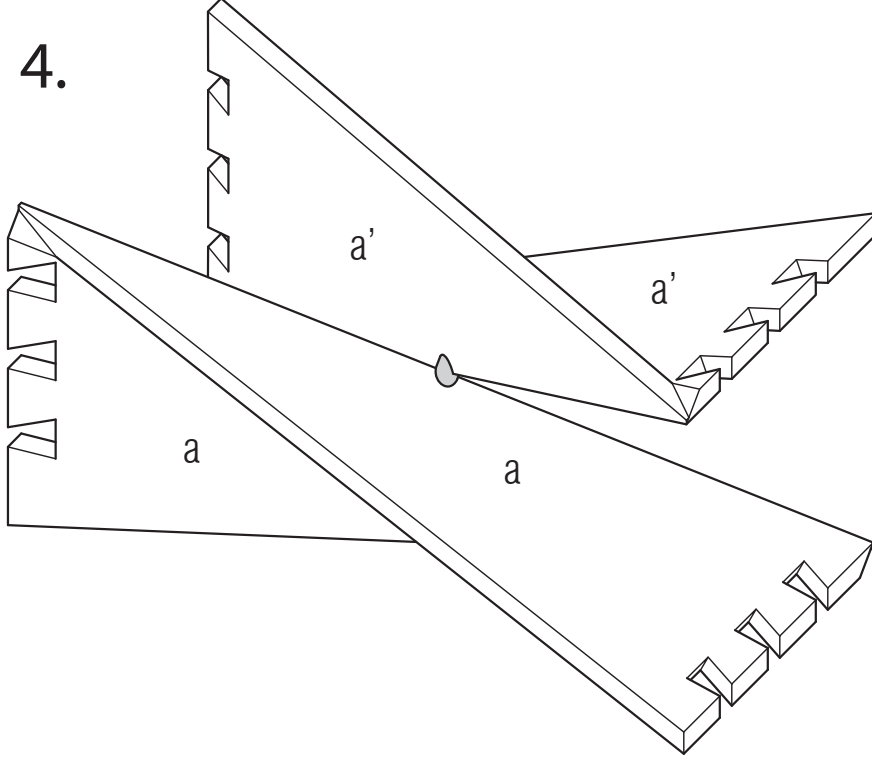
3.



2.



4.



Connection Detail:

Dowels

(a,a + a',a')

02/19/16

For Review

All measurements
in inches

13

Twist

Selena Zhen

Harshvardhan Kedia

Drawn By: SZ

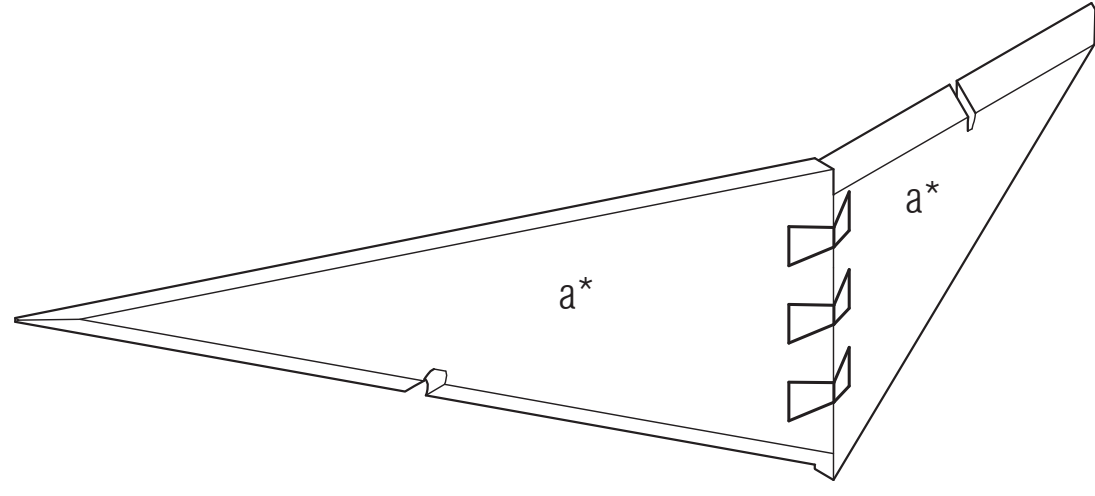
#48105_p2, #48125_a5

Span Project Shop Drawings S16

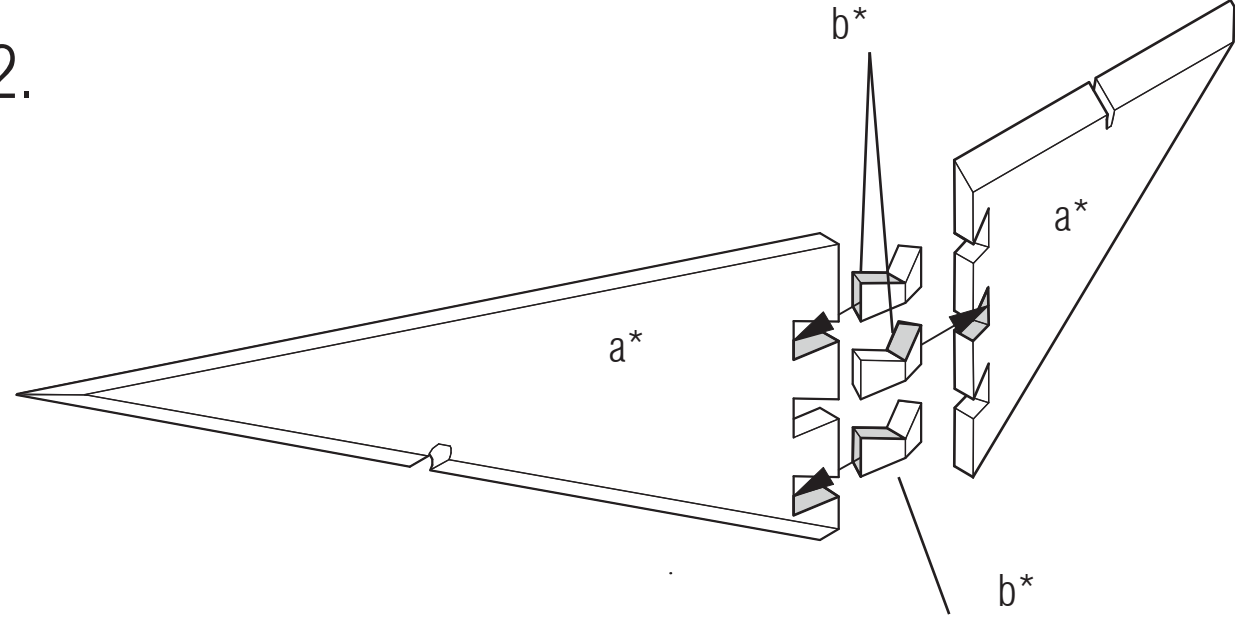
Carnegie Mellon University, Pittsburgh, PA

School of Architecture

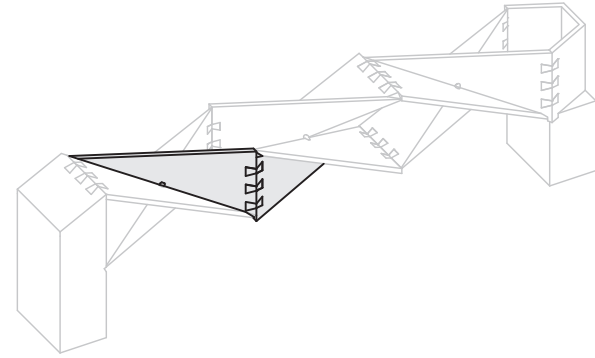
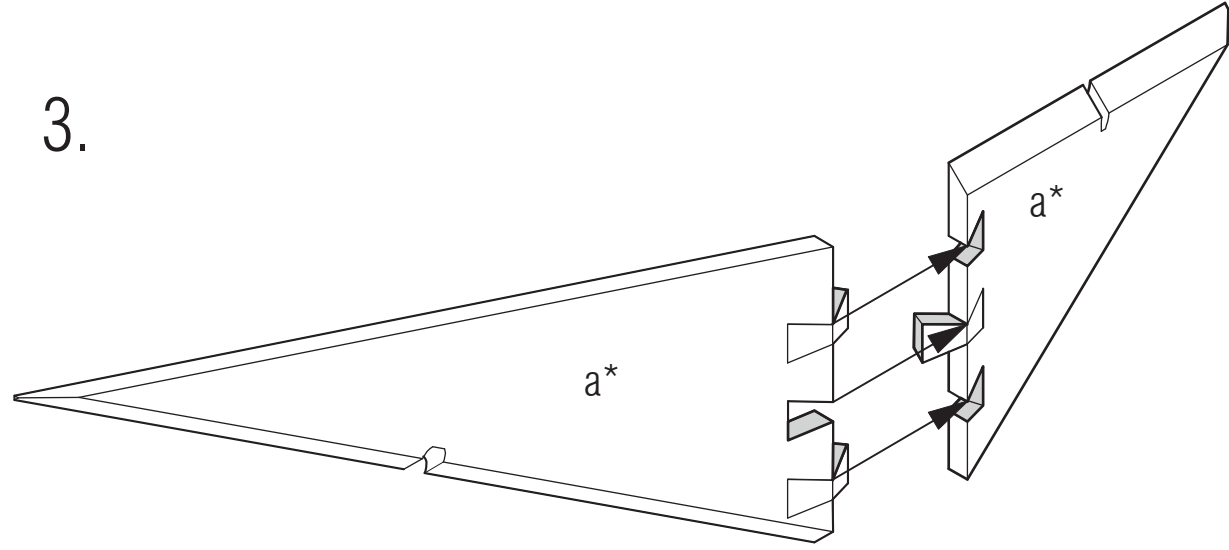
1.



2.



3.



Connection Detail:
Dovetail Keys

02/19/16 (a* + a*)

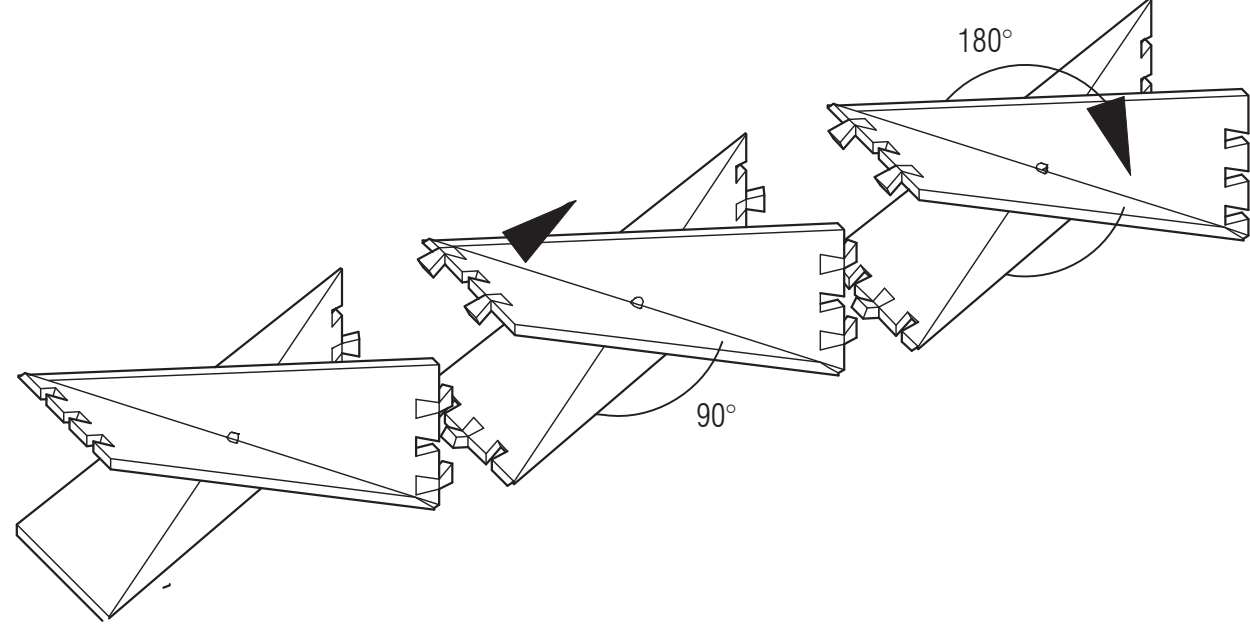
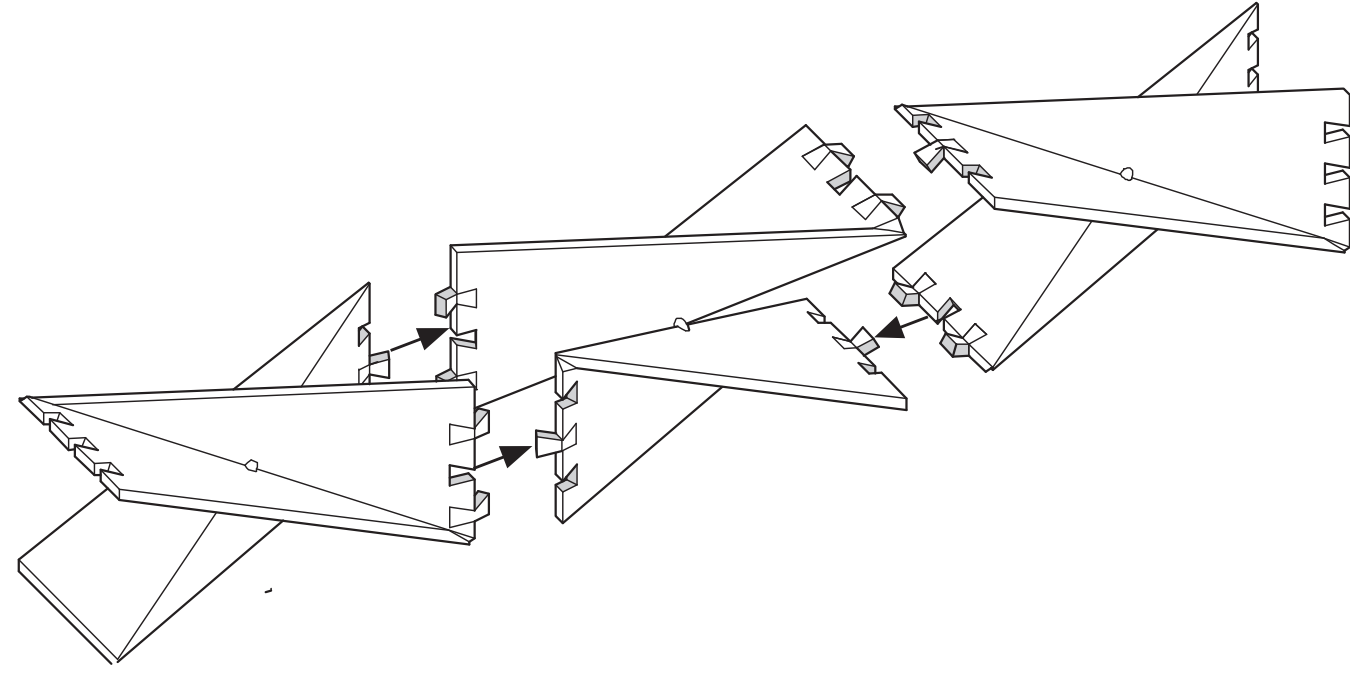
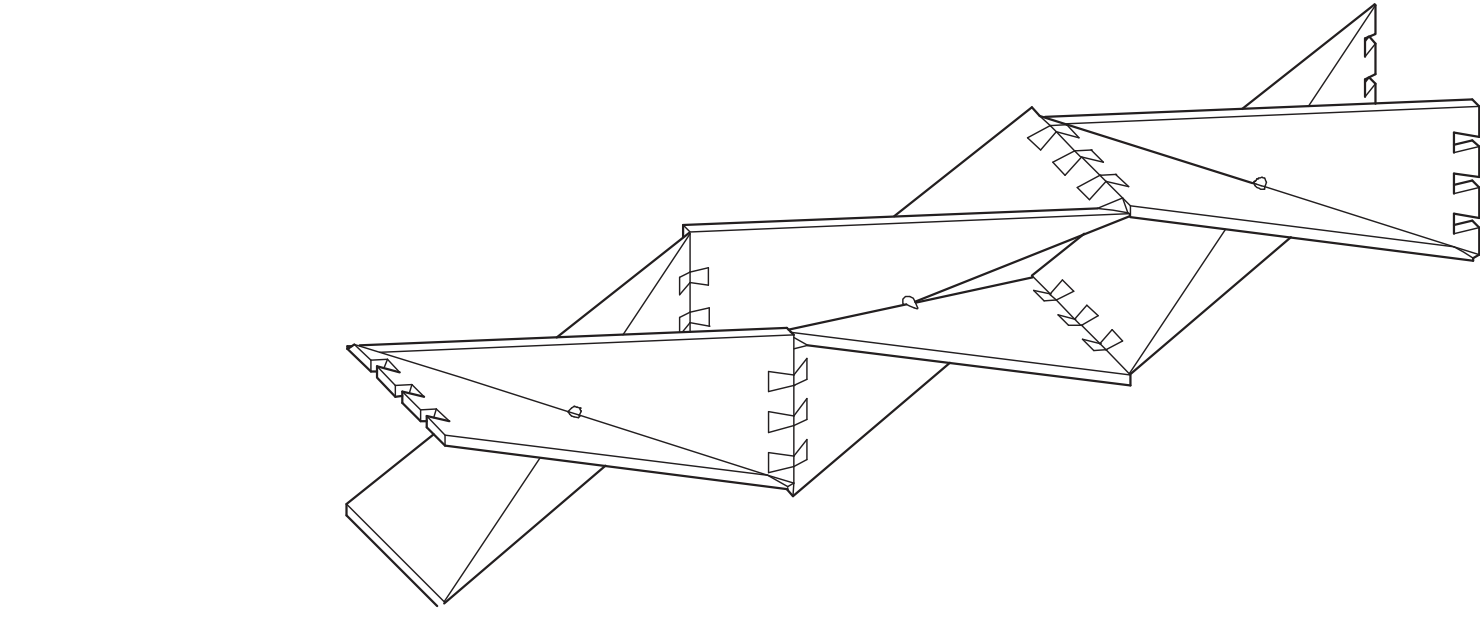
For Review All measurements
in inches

Twist

Selena Zhen
Harshvardhan Kedia
Drawn By: SZ

#48105_p2, #48125_a5

Span Project Shop Drawings S16
Carnegie Mellon University, Pittsburgh, PA
School of Architecture



Assembly of Modules

02/19/16 $(a^* + a^*)$

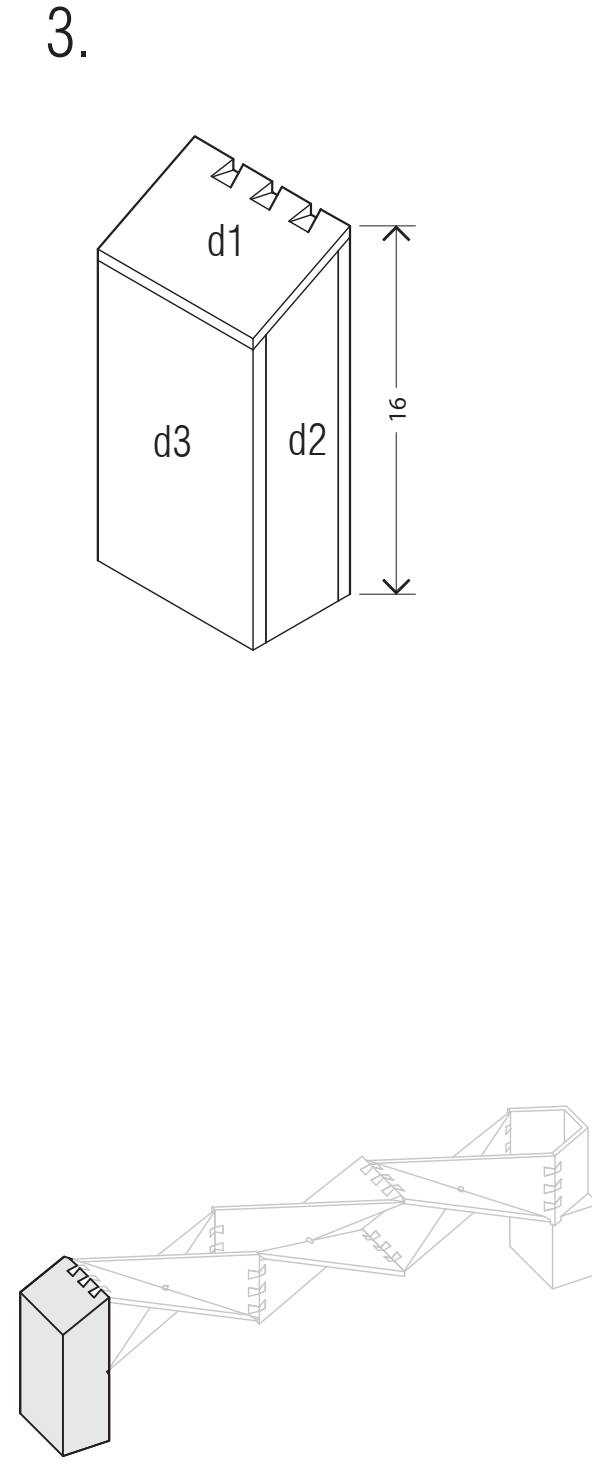
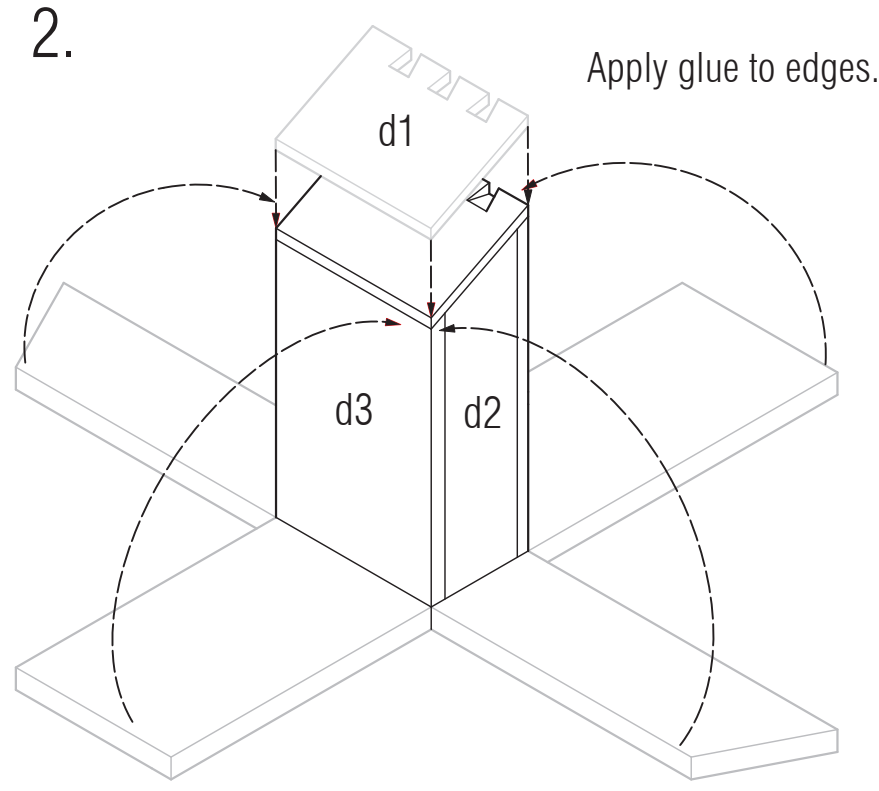
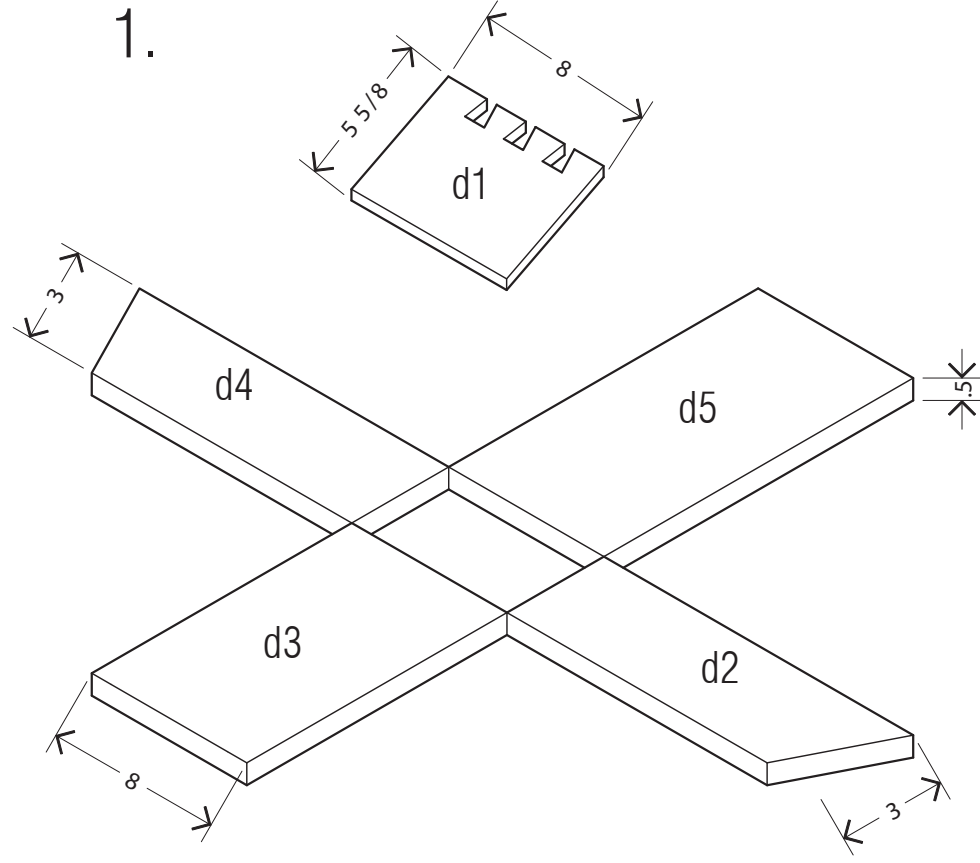
For Review All measurements
in inches

Twist

Selena Zhen
Harshvardhan Kedia
Drawn By: SZ

#48105_p2, #48125_a5

Span Project Shop Drawings S16
Carnegie Mellon University, Pittsburgh, PA
School of Architecture



Subassembly 2 (Pier 1)

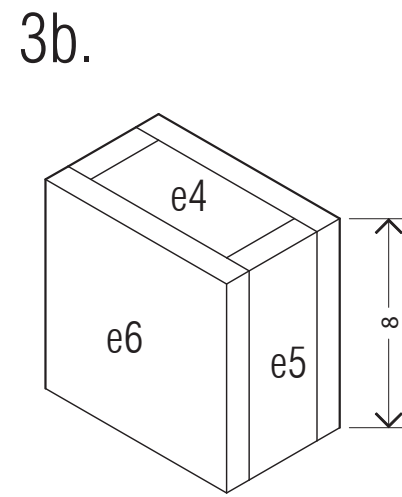
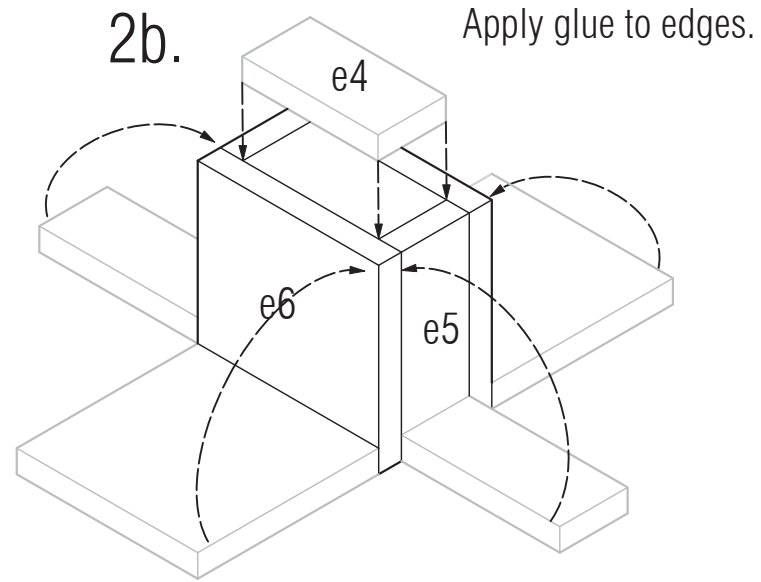
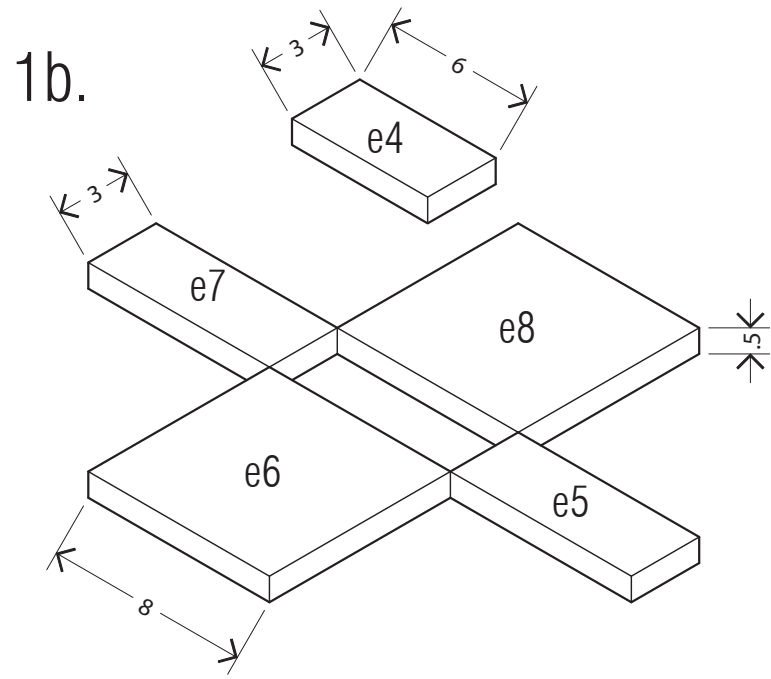
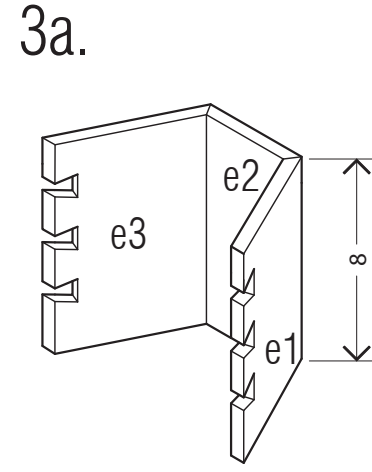
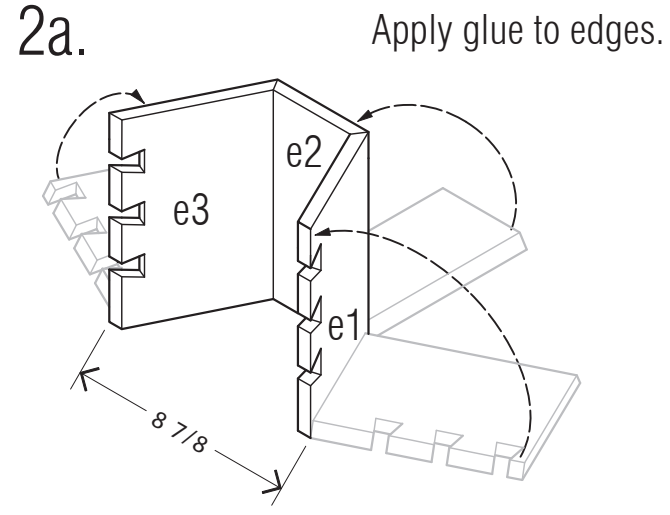
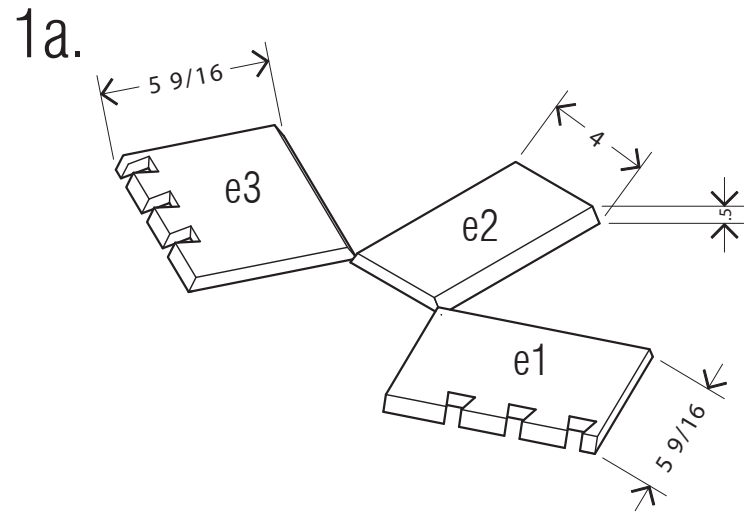
02/19/16
For Review All measurements
in inches

Twist

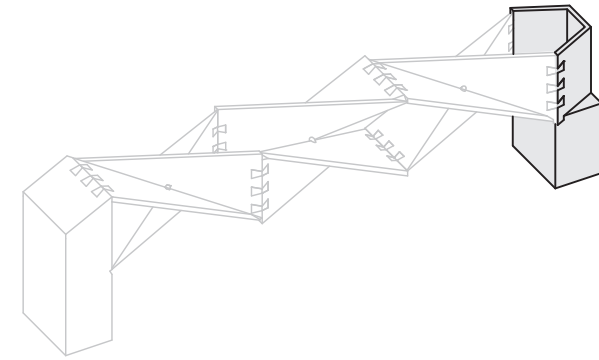
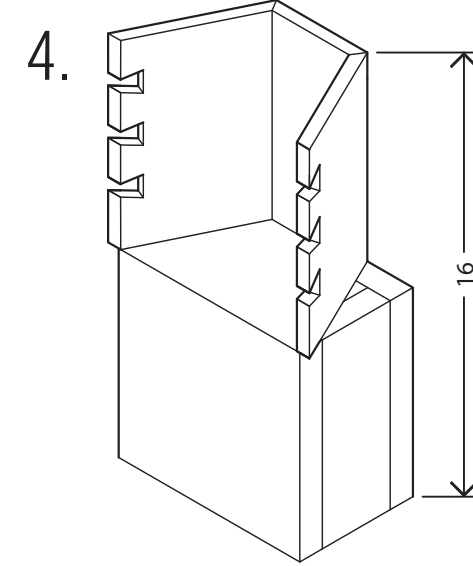
Selena Zhen
Harshvardhan Kedia
Drawn By: SZ

#48105_p2, #48125_a5

Span Project Shop Drawings S16
Carnegie Mellon University, Pittsburgh, PA
School of Architecture



Apply glue to edges.



Subassembly 3 (Pier 2)

02/19/16

For Review

All measurements
in inches

Twist

Selena Zhen

Harshvardhan Kedia

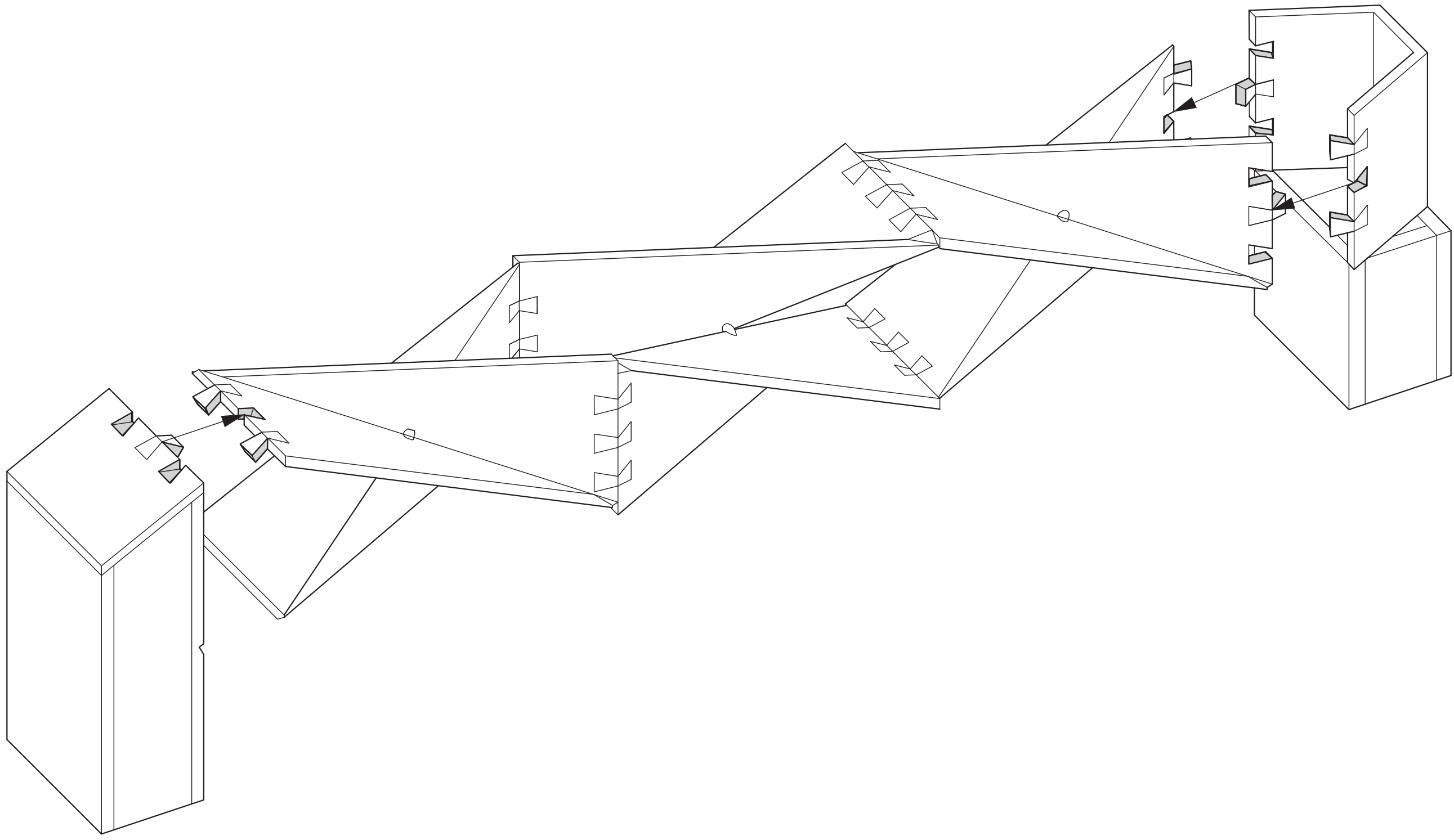
Drawn By: SZ

#48105_p2, #48125_a5

Span Project Shop Drawings S16

Carnegie Mellon University, Pittsburgh, PA

School of Architecture



Exploded Axonometric

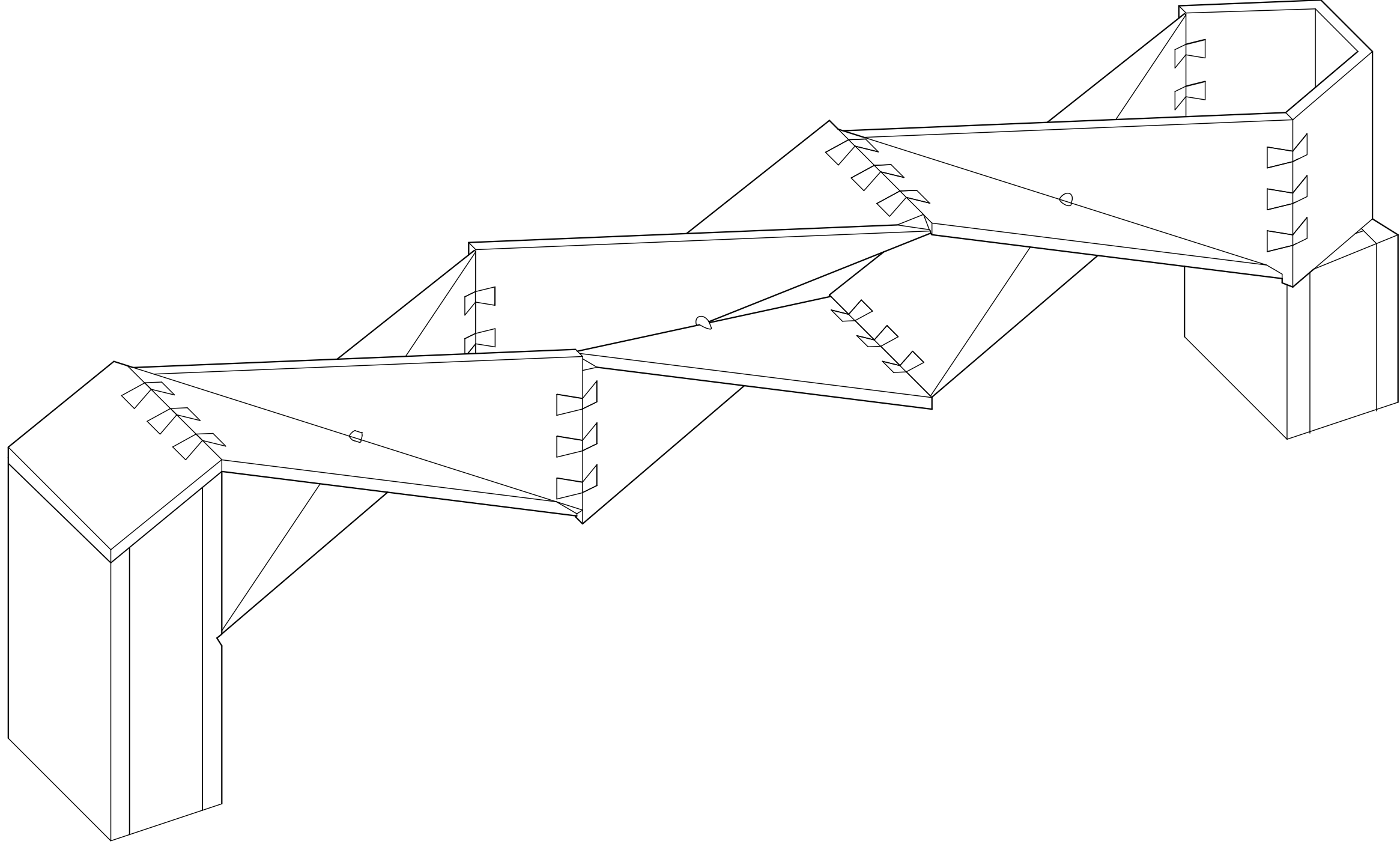
02/19/16
For Review All measurements
in inches

Twist

Selena Zhen
Harshvardhan Kedia
Drawn By: SZ

#48105_p2, #48125_a5

Span Project Shop Drawings S16
Carnegie Mellon University, Pittsburgh, PA
School of Architecture



Final Model

02/19/16
For Review All measurements
in inches

19

Twist

Selena Zhen
Harshvardhan Kedia
Drawn By: SZ

#48105_p2, #48125_a5

Span Project Shop Drawings S16
Carnegie Mellon University, Pittsburgh, PA
School of Architecture